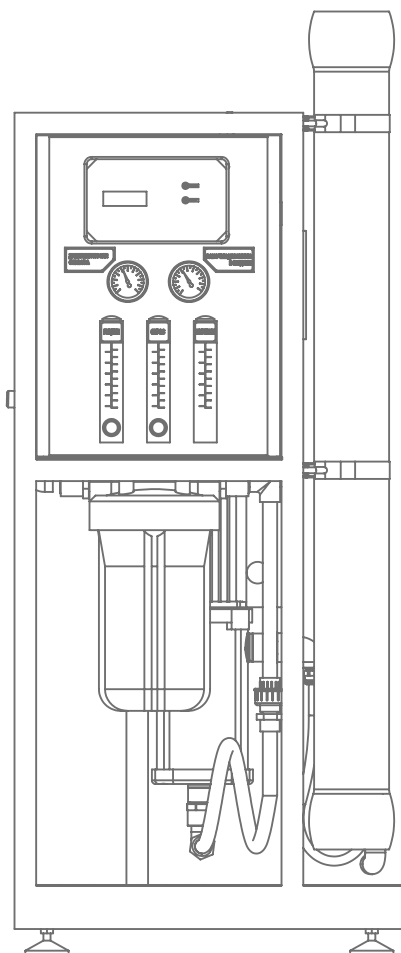


Instruction manual

Ecosoft RO System Mini

Руководство по эксплуатации систем обратного осмоса Ecosoft Mini



CONTENTS:

1. Acronyms and abbreviations.....	4
2. RO system.....	4
2.1. Overview.....	4
2.2. Technical data.....	5
3. Installation and startup.....	7
4. Installation requirements.....	9
5. Operating requirements.....	9
6. Shipping and storage requirements.....	11
7. Troubleshooting.....	12
8. Controller.....	14
8.1. Overview.....	14
8.2. Technical data.....	15
8.3. Operating modes.....	18
8.4. Program.....	21
Annex A. Layout drawings.....	25
Annex B. Bypass valve enabled system.....	28
Annex C. Operation record.....	29

1. ACRONYMS AND ABBREVIATIONS

CIP — Clean-in-place

FF — Forward flush

NC — Normally closed

NO — Normally open

TDS — Total dissolved solids

PSB — Printed circuit board

P&ID — Piping and instrumentation diagram

RO — Reverse osmosis

LPM — Liter per minute

LPH — Liter per hour

2. RO SYSTEM

2.1. OVERVIEW

Ecosoft industrial reverse osmosis systems are used for demineralizing water in industrial, municipal, commercial applications. Ecosoft RO system can be used to demineralize low to medium salinity feed water. System components comprise carbon steel skid, industry standard Big Blue 20 prefilters, high pressure pump, array of pressure vessels with membranes, power cabinet, process controller, and the necessary valves and instruments.



This appliance is not intended for use by persons (including children) with reduced physical, sensory or mental capabilities, or lack of experience and knowledge, unless they have been given supervision or instruction concerning use of the appliance by a person responsible for their safety. Children should be supervised to ensure that they do not play with the appliance.

Reverse osmosis system operation is as follows. First, raw water is fed through sediment prefilters in order to remove particulates. The water may be dosed with antiscalant or other RO chemicals. Then, high pressure pump feeds the water into the membrane module or membrane array, in which feed stream undergoes separation process and splits into permeate and concentrate streams. Recycle regulating valve throttles flow of concentrate thereby regulating working pressure in the membrane module. Permeate comes out via permeate outlet and is collected in water tank. Permeate line is also fitted with pressure switch, to halt the unit if significant pressure builds in permeate line. Float switch is used to start and stop the system depending on level of water in the permeate tank.

Part of the concentrate stream is discharged to drain through drain rotameter, and the rest is fed back to suction end of the high pressure pump through recycle rotameter and piping. Flow rates in recycle line and drain line are adjustable with regulating valves for setting to operating values.

When operation is interrupted by level or backpressure signal, the system runs a forward flush (membrane rinse) cycle before switching to standby. It reads temperature and conductivity of permeate, permeate level, pressure switch statuses, and external inhibition signals.

Depending on your RO system model, it can be additionally equipped with:

- antiscalant/chemical dosing pumps
- additional electric valve for raw water mixing or membrane permeate rinsing (see Annex B)

2.2. TECHNICAL DATA

Table 1. Physical data

Model	MO-6500	MO-12000	MO-24000
Code	M6VCTFW	M10VCTFW	M24VCTFW
Rated capacity, LPH*	280	530	1000
Membranes	1 × XLE-4040	2 × XLE-4040	4 × XLE-4040
Pressure inlet, bar	2–6		
Water consumption, L	30–38		58–75
Power consumption, kW	0,67		1,9
Dimensions (W×D×H), mm	540 × 405 × 1450		700 × 610 × 1450
Maximum dry weight, kg	60	70	100
Connection port sizes:			
• feed water	1/2"		1,0"
• permeate	1/2"		1,0"
• drain	1/2"		1,0"
Operating specification**			
Recycle flow rate:			
• LPM	13–15	8,2–11,2	21–35
• LPH	820–900	490–680	1200–2100
Drain flow rate:			
• LPM	1,2–1,7	2,2–3,0	5–8
• LPH	70–100	130–180	300–500
Permeate flow rate:			
• LPM	3,5–4,5	6,5–9,0	16–20
• LPH	200–270	390–540	900–1200

* t= 25°C, TDS=1000 mg/l

** Feed water must comply with requirements in Table 2. If some data are not available or do not meet requirements, contact Ecosoft product support.

Table 2. Limitations***

Hardness	150 mg/l CaCO ₃
	8,5 °dH
Iron	0,1 mg/l
Manganese	0,05 mg/l
Silicate	20 mg/l
Total dissolved solids	3000 mg/l
Chemical oxygen demand	4,0 mg/l O ₂
Residual chlorine	0,1 mg/l
Hydrogen sulfide	none

***The limitations may be exceeded if using antiscalant, oxygen scavenger, or other RO chemical pretreatment.

Inlet pressure	0,2...0,4 MPa
Temperature of water	10...25 °C
Electrical power	230 V, 50 Hz
Membrane pressure	0,8...1,2 MPa



Tap feed water must be pre-filtered from fine particulates and residual chlorine before entering the RO system. Well water may contain impurities such as hardness, iron, manganese, silica, hydrogen sulfide that can quickly lead to membrane failure. Some of these challenges can be addressed by using injection of antiscalant. Perform a detailed laboratory analysis of your well water and consult a water treatment specialist to see if you need additional equipment for treating your well water.

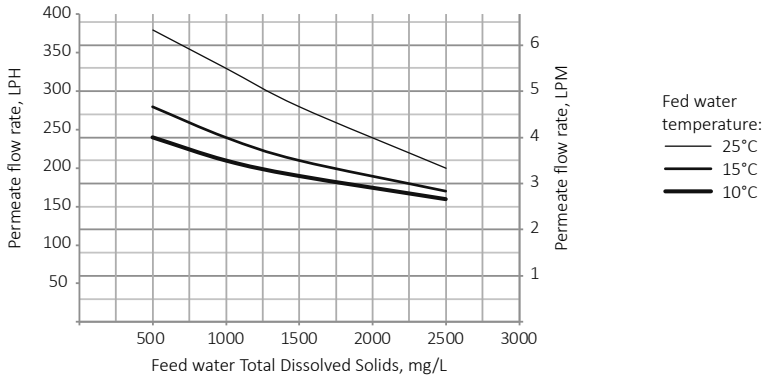


Figure 1. TDS/Flow rate curves for MO6000

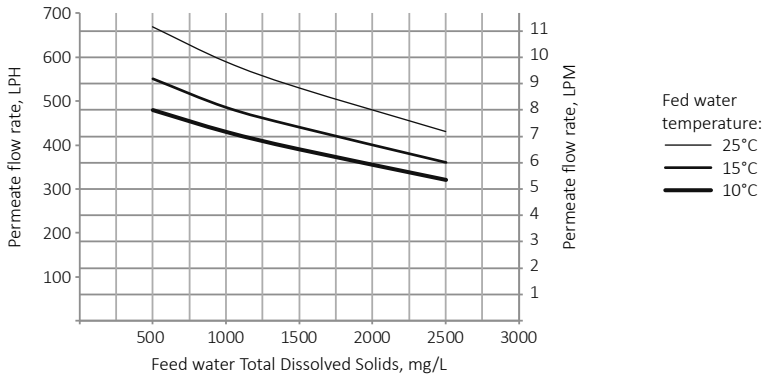


Figure 2. TDS/Flow rate curves for MO12000

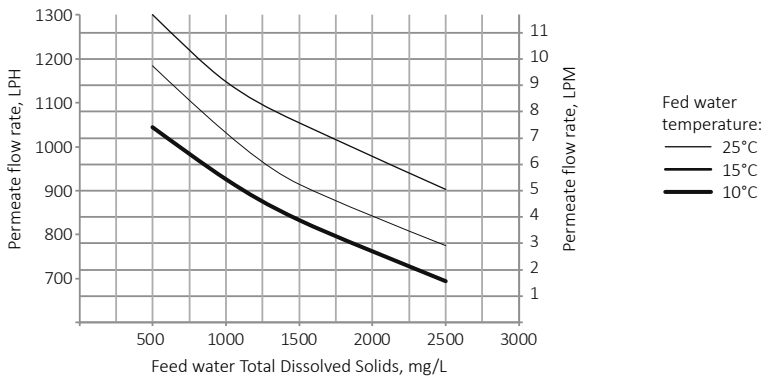


Figure 3. TDS/Flow rate curves for MO24000RO

3. INSTALLATION AND STARTUP



Caution! Electrical installation should only be done by a qualified electrician.

3.1 Rest the unit on a flat level surface capable of supporting its weight (see Table 1). Install permeate tank next to the unit. Inspect the RO system carefully for damage, including piping, valves and instruments, pump, pressure vessels, pre filter housings, power cabinet before proceeding with connection and startup.

3.2 Install membrane in each pressure vessel as follows.

Remove PVC piping with the pressure vessel ports. To remove PVC pipes, take apart pipe unions at the pressure vessel ports. If necessary, also loosen next closest downstream union to remove the entire piping fragment leading to the vessel. Remove the lid at the feed end of pressure vessel. First, remove spiral retaining ring by pulling bent tab towards the center of circle. If the pressure vessel lid is retained by half rims, remove the fastening screws and pull half rims out of circular groove. Take out the lid with membrane adapter.



Observe direction of arrow on pressure vessel when installing membrane. Use glycerol or a similar RO-compatible lubricant as needed. Avoid touching membrane with hands. Use sterile rubber gloves when handling membrane.

Make a cut in membrane packaging bag and insert membrane in the pressure vessel brine seal last. Central tube of the membrane has to mate with membrane adapter installed at the concentrate end of pressure vessel. If necessary, remove the lid at the concentrate end before installing the membrane.

Install the lid back in place. Put spiral retaining ring (or half rims) in the groove, fasten half rims with screws. Re-assemble the RO system in reverse order.

3.3 Connect raw water pipe from water main/pump, drain tube or hose and permeate pipe to the connection port of the RO system (see picture below). Recommended pipe size is at least that of the connection port, plastic/composite pipe or rigid non-kinking hose. Use appropriate fittings as necessary. Ensure air gap at the end of drain line to prevent backsiphonage. Connect tube or hose to permeate outlet and extend it to permeate tank. Cut or bore an aperture at the top of tank wall, install pipe gland and pull the permeate tube through the gland (note: run permeate line to drain when carrying out initial membrane rinse).



It is strongly recommended to use short runs of pipe or hose the size of which matches or exceeds that of the connection port.

3.4 Put the float switch inside permeate tank after moving ballast the necessary length up the cord to provide enough level difference between activated and deactivated position. After the first filling of the tank, verify that the float switch activates and deactivates in the right positions.

3.5 If the RO system has permeate rinse enabled, install the necessary piping. If using service interruption by external signal (microswitch), remove conductor connecting terminals 6 and 7 together on controller PCB. Then, run wire from microswitch inside the controller housing and connect to the terminals. If using antiscalant or other RO chemicals, refer to dosing pump's instruction booklet for information concerning the dosing pump.

3.6 Run power to the RO system. Pull power cable inside power cabinet of the RO system through a gland in cabinet wall. Connect three phases and neutral to leftmost screw terminal block in the bottom row. Switch on main circuit breaker in the top row. Check protection relay status. Any LED signal except green light on indicates some power supply fault. Green LED indicates proper power supply. See pictures of the electrical panel.

START UP THE SYSTEM AS FOLLOWS:

3.7 Ensure recycle and drain flow regulating valves are fully open before starting. Run the permeate tube to drain for the duration of the first run of the RO system.

3.8 Switch on controller circuit breaker to start the RO system. After the controller starts up and the unit starts to operate, tighten drain regulating valve until drain rotameter reading meets specifications (see Table 1). Then, start turning down recycle regulating valve. This will raise pressure in the membrane module shown on pressure gauge. Stop when permeate flow rate meets specification or pressure in the membrane module reaches above upper limit (see Table 1). After the proper operating pressure is set, readjust drain flow rate (if it deviates in the process) to ensure that system operates with proper recovery (75% unless specified otherwise). To find out target drain flow rate, perform below calculation:

$$\text{Drain flow rate} = \frac{\text{Permeate flow rate}}{\text{Recovery}} - \text{Permeate flow rate}$$

For example:

Permeate flow rate = 50 l/min = 3 m³/h

Recovery = 75% = 0,75 (default)

$$\text{Target drain flow rate} = 50/0,75 - 50 = 16,67 \text{ l/min} = 1 \text{ m}^3/\text{h}$$

Make sure that the permeate flow rate and drain flow rate conform to your recovery calculation. After you have finished setting up check that operating flow rates, rotameter and pressure gauge readings stay within specification limitations in Tables 1 and 2.



Take care not to exceed 1,6 MPa in membrane module at any time. If membrane pressure rises above the upper limit in specification, open recycle flow regulating valve to bring it down.



Take care not to exceed proper recovery. If you are unsure what recovery your system should be operated with, contact Ecosoft Product support for assistance.



Turn regulating valve knobs smoothly when regulating recycle and drain flow. Do not make rapid turns or apply disproportionate force as this can damage the unit.

3.9 Let the unit run for 1 hour discarding permeate and concentrate to drain to flush out membrane preservative. Watch pressure and flow rate readings to make sure these do not exceed requirements.

After 1 hour of operation, start forward flush cycle (by pressing START on controller front panel), then stop the unit. Switch off main circuit breaker. Connect permeate tube/hose to permeate tank. The RO system is ready for operation.

4. INSTALLATION REQUIREMENTS

- Installation and setup of the unit should be undertaken by a qualified professional. Room or area where the unit is to be installed must meet workplace standards of local building code.
- The unit must not be operated in outdoor environments. Do not expose to weather conditions (rain, temperature fluctuations, proximity of heating equipment, direct sunlight etc).
- Air at workplace should be free of corrosive vapors, airborne dust, and fibrous matter.
- To provide access to the unit for maintenance and repair purposes, respect the following clearances between the unit and building structures: 500 mm to the left or right, 200 mm above.
- Electrical connections must comply with local electrical code. Make sure to follow applicable grounding and insulation rules.
- Supply, drain, and delivery pipework must comply with local plumbing code and have sufficient flow capacity. Drain line of the unit must be separated from floor drain with an air gap.
- Construction material or inside lining of permeate tank must be resistant to water corrosion (e. g. stainless steel, polypropylene). Tank should be installed next to the unit.
- Antiscalant pump suction line length should not exceed 1,5 m. Refer to dosing pump's manual to adjust pump's settings if it has not been factory configured.

5. OPERATING REQUIREMENTS

5.1 Operator of the unit must strictly follow these guidelines and general electrical safety precautions.



If power supply cord is damaged, it must be replaced by the manufacturer, its service agent or similarly qualified person in order to avoid hazard.

5.2 When operating the unit, ensure that pressure and flow rates are within specification limits and that power supply is clean and uninterrupted.

5.3 Perform the following at least once a month:

- verify that readings on pressure gauges and rotameters fall within the specified range per requirements specification;
- verify tightness of hydraulic connections and integrity of parts.

5.4 In order to monitor performance of the RO machine, regularly keep record of operation and write down parameter readings. Use membrane manufacturer's software tools for normalization to control for fluctuations of pressure, temperature, and other operating conditions.

5.5 Change polypropylene cartridge when it has clogged. Pressure drop of 0,1 MPa or greater on the sediment filter indicates that filter cartridge needs to be replaced as soon as possible.

5.6 Perform CIP or another suitable chemical cleaning protocol when any of the following conditions are encountered:

- normalized permeate flow rate drops 10-15% of its initial value;
- normalized conductivity of permeate increases 10-15% of initial value, raw water conductivity remaining at the same level;
- normalized pressure drop along the membrane module increases 10-15% of its initial value.

5.7 After installing freshly cleaned membrane, perform 1 hour rinse discarding all permeate and concentrate. If chemical cleaning fails to restore normalized flow or rejection to design specifications, membrane element is irreparably fouled and has to be replaced.

5.8 To prevent microbial contamination, the unit should be operated for at least 1 hour a day. In case 48 hours or longer shutdown is to occur, membrane should be treated with preservative solution. Preservative treatment is accomplished by circulating 1% sodium metabisulfite solution through the membrane module for 30 minutes or by preparing metabisulfite solution of the above strength in the module. Before resuming operation of a machine that had been treated with preservative, rinse the membrane.



Do not use supply water with over 0,1 mg/L of free chlorine without pre treatment with activated carbon or other means of dechlorination. **Chlorine will destroy the membrane.**

5.9 To replace sediment filter cartridge proceed as follows:

- remove the power from the unit;
- shut off water supply and relieve pressure;
- screw off filter bowl and remove it, taking care not to spill water on parts of the unit;
- remove spent cartridge from the bowl, place a clean one inside and screw the bowl back on.



Do not torque over 2 kgf×m when tightening bowl.

5.10 To replace membrane element proceed as follows:

- remove the power from the unit;
- shut off water supply and relieve pressure;
- disconnect feed, permeate, and concentrate tube connections at membrane module outlets;
- unfasten clamps holding the pressure vessel and take down the vessel;
- remove caps from the pressure vessel;
- push the membrane element from the feed end towards the discharge end (in the direction of the arrow). Extract the membrane element by pulling it at the discharge end of the vessel;
- install new membrane element, observing flow direction as indicated by the arrow;
- fasten the caps and install the vessel back in place;
- re-connect tubes back to the vessel.



***Do not** perform any maintenance, repair, cleaning, moving the unit or ancillary units (permeate tank, media filters etc), when the unit is connected to power and water supply.*



***Do not** subject pressure vessel to mechanical impact (shocks, static load etc).*



The manufacturer shall not be held liable for any damages incurred by the owner of the unit or any third party due to failure to adhere to the safety precautions or installation guidelines herein.

6. SHIPPING AND STORAGE REQUIREMENTS

- The unit must be stored indoors. Ambient air quality must meet workplace standards.
- Carry out preservative treatment of membrane elements when preparing for an extended downtime.
- The RO machine in its original packaging can be shipped by all types of air, sea or ground transport.
- During transportation, the unit must be protected from exposure to low temperatures and jolts/vibration.

7. TROUBLESHOOTING

Problem	Possible cause	Corrective action
The controller does not start after switching on controller circuit breaker	No power	Ensure clean 230 V, 50 Hz electrical power supply to the system
	Loosened contact in screw terminal	Open controller housing, check that power supply conductors are firmly fixed in 230V terminals of the controller board
	Other	Contact your dealer's product support
Main circuit breaker trips	Power supply does not meet system requirements	The system requires clean power supply conforming to electrical specification in chapter 2. Check for brownout, overvoltage, power surges
	Other	Contact your dealer's product support
High pressure pump is not starting after the controller has started up	Controller is in Standby mode	Check if permeate tank is full Check that permeate tube is not blocked or shut off with a valve
	Controller is in Stop mode	Open controller housing and check that terminals 6 and 7 are short-circuited with a piece of wire
	Controller is in Service	Contact your dealer's product support
Low feed pressure fault	Insufficient pressure of water supply	Ensure adequate supply of water per requirements in Chapter 2
	The system is connected to water supply using flexible hose or small size pipe	Set up proper connection to water supply pipe. Avoid long runs of small size pipe
	Clogged pre-filter cartridge	Check the filter cartridge and replace if necessary
	Other	Contact your dealer's product support

Problem	Possible cause	Corrective action
High permeate conductivity	Water temperature is higher than allowed	Test temperature of feed water and check that it conforms with requirements in chapter 2
	System is not operating with proper concentrate pressure and flow rate	Write down readings on pressure gauges and rotameters and contact your dealer's product support
	Water quality does not meet requirements	Check that the water analysis conforms with requirements in chapter 2
	Damaged brine seal or membrane adapter O-ring	Contact your dealer's product support
	Fouled or damaged membranes	Replace or chemical clean the membrane
	Other	Contact your dealer's product support
Low permeate flow rate	Water temperature is lower than allowed	Test temperature of feed water and check that it conforms with requirements in chapter 2
	System is not operating with proper concentrate pressure and flow rate	Write down readings on pressure gauges and rotameters and contact your dealer's product support
	Fouled membranes	Carry out chemical cleaning, contact your dealer's product support if membranes get fouled too often
Other		Contact your dealer's product support

8. CONTROLLER

8.1. OVERVIEW

Ecosoft OC5000 process controller provides means to control operation of RO machine via succinct user interface comprising two buttons and LED display. The controller is designed to ensure complete automation of the process while allowing for manual intervention on user part at any moment in time. When running a reverse osmosis machine, the controller executes the following tasks:

- turning the unit on and off with respect to tank permeate level and/or backpressure switch status;
- reading status of level, pressure, and stop switches; conductivity and temperature of permeate;
- going into Fault mode upon occurrence of any of the conditions indicating risk of damage to the RO machine or improper operation;
- performing hydraulic flushing of membranes ('forward flush') with preset frequency and duration;
- implementing manual control over the unit.

In order to deliver the above functionality, Ecosoft process controller supports the following connectivity:

- 5 dry contact switches (NC/NO);
- 3 electrical valves (solenoid and motor driven valves can be used);
- alarm signal;
- high pressure pump, antiscalant and/or biocide dosing pumps;
- electrical conductivity probe with temperature sensor.

The controller supports scheduled maintenance alerts and passcode protected access to configuration menu. Conductivity reading is digitally corrected for temperature of permeate, while hardware interface offers good interference immunity and reliability with galvanically isolated terminal connections.

8.2. TECHNICAL DATA

Table 1. Specifications

Electrical rating	230 V, 50 Hz*, 2 x fuse 2 A
Power	4 VA
IP code	IP 65
Ambient temperature	+5...+40 °C
Weight	0,25 kg
Dimensions (L×W×H)	60 × 120 × 250 mm
Permeate conductivity ranges	0...1000 µS/cm

Table 2. Screw terminal pinout

DESCRIPTION		DESIGNATOR	PIN #
<i>POWER</i>			
Live	230 V*	L	35
Neutral		N	34
Ground		↓	33
<i>INPUTS</i>			
Conductivity meter	5 V 1 mA dry contact (NC/NO)	cond	1 — white 2 — black
Temperature sensor		+ temp -	3 — red 4 — green 5 — blue
Pressure switch before pump		P_in	8–9
Pressure switch after pump		P_max	10–11
High permeate pressure switch		P_perm	12–13
Level switch		level	14–15
Stop switch	stop	6–7	
<i>OUTPUTS</i>			
Magnetic starter of high pressure pump	230 V*	pump	31–32 30 (ground)
Alarm signal		alarm	28–29
Entry valve		InValve	18–17 (NO) 18–19 (NC) 16 (ground)
Forward flush valve		Rinse_Valve	22–21 (NO) 22–23 (NC) 20 (ground)
Bypass valve		Bypass_Valve	26–25 (NO) 26–27 (NC) 24 (ground)

*Power supply 115 V, 60 Hz for request

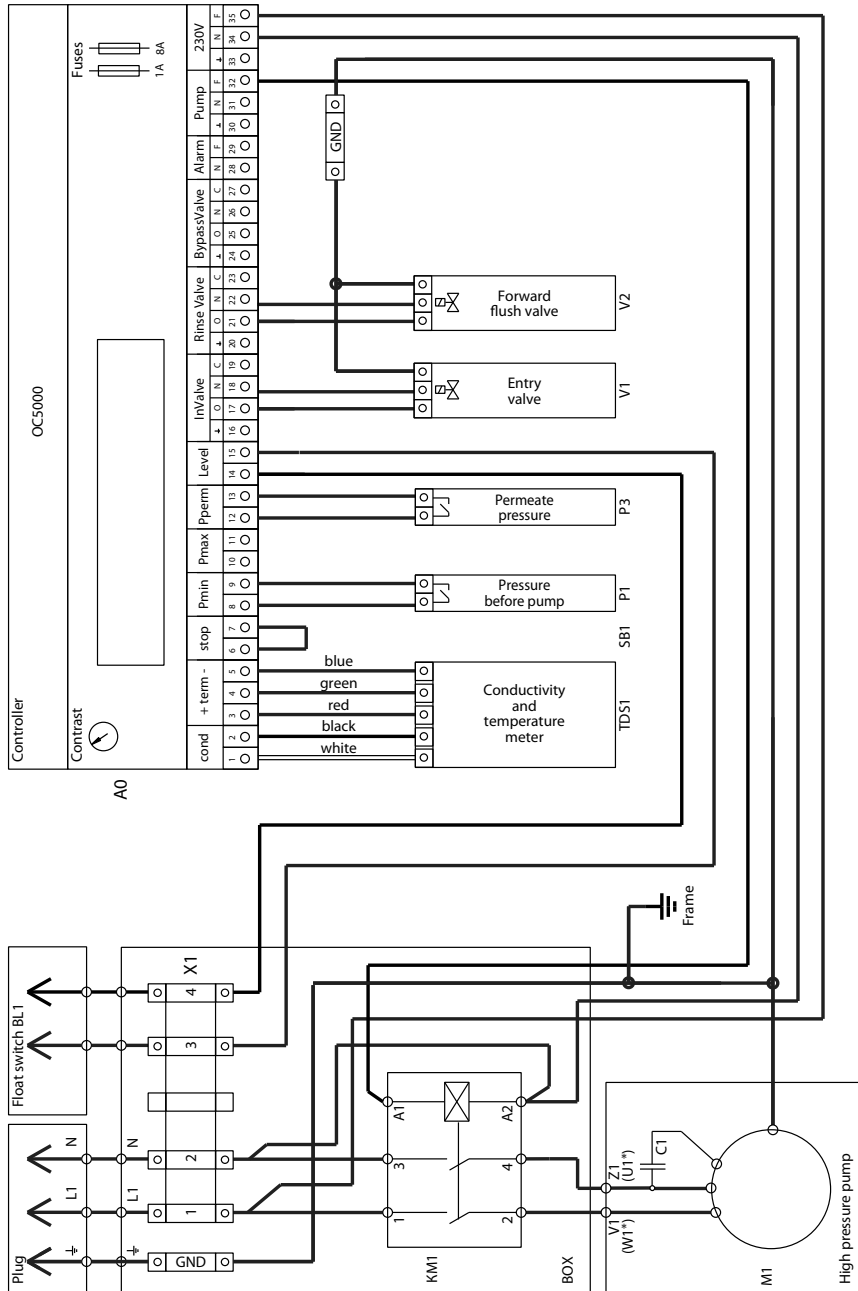


Figure 1. OC5000 wiring diagram for MO-6500, MO-12000 and MO-24000 (230 V)
 * V1/Z1 for MO-6500, MO-12000; W1/U1 for MO-24000

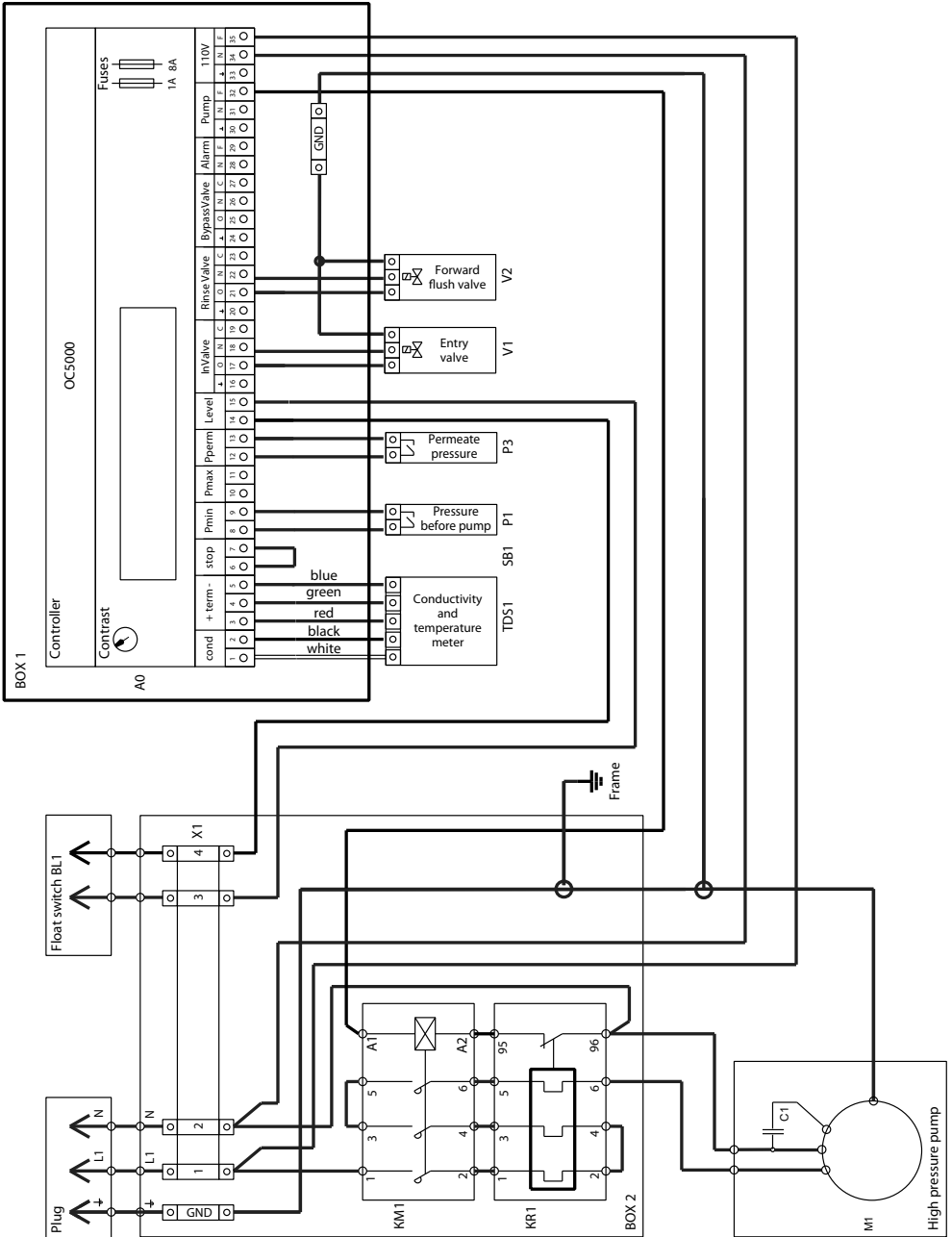


Figure 2. OC5000 wiring diagram for MO-6500, MO-12000 and MO-24000 (115 V)

8.3. OPERATING MODES

When operating, the controller will be in any one of the following modes: Service, Stop, Forward Flush 1, Forward Flush 2, Standby, Fault. Immediately after starting, the controller will display firmware version and then proceed to Service if tank permeate level is low and backpressure switch is not activated.

Here and below information is relevant to the firmware version "OC5000EC ver_03". For information on different firmware versions please contact your technical support.

Configuring and manipulating the controller is done using ► START and ◻ STOP buttons. Current mode of operation and pertaining information is shown on the LED display. Opening the circuit in the Stop domain of terminal block (see figure 1) will bring the controller to Stop mode regardless of its current mode of operation. Closing the circuit will take the controller back to the mode that had been interrupted. Stop terminals can be used to connect a microswitch on pre-treatment media filter, a relay or other means of external control to the controller.

Following is the description of controller modes.

SERVICE.

In Service mode, the RO machine produces permeate. If no fault conditions are taking place, float switch is low and backpressure switch is not activated, the controller will operate in Service mode.

Status of outputs in SERVICE

Booster and antiscalant pumps	on
Entry valve	open
Forward flush valve	closed
Bypass valve	open (if configuration step 1.3 is set to 0) closed (if configuration step 1.3 is non-zero value)
Alarm	off

Display will flash cumulative runtime of the RO machine, remaining time before scheduled maintenance alert (if set in configuration step 3.1), temperature and conductivity of permeate (or TDS of permeate if configuration step 1.15 is set to "on"). Pushing ► START once will initiate Forward Flush 1, pushing ► START twice in 0.5 seconds or less will initiate Forward Flush 2 (if configuration step 1.3 is set to non-zero value), pushing ◻ STOP will bring on Stop mode. If high feed pressure, low feed pressure, or high permeate conductivity condition occurs, the controller will go into Fault mode.

FORWARD FLUSH 1

During Forward Flush 1, membranes are rinsed with high flow of raw water allowing concentrate run freely to drain. Forward Flush 1 occurs during normal operation with frequency set in configuration steps 1.5, 1.6. It is also activated in Service mode if the controller is going to transition to Standby after reading high tank level or high permeate pressure. It can be manually activated while in Service by pushing ► START button.

Status of outputs in FORWARD FLUSH 1

Booster and antiscalant pumps	on
Entry valve	open
Forward flush valve	open
Bypass valve	closed
Alarm	off

Pushing **□ STOP** will abort Forward Flush 1 and bring the controller to Stop mode. Pushing **▶ START** will cycle the controller to Forward Flush 2 mode (if configuration step 1.3 is set to non-zero value). If high feed pressure or low feed pressure occurs, the controller will go into Fault mode. Low feed pressure fault during Forward Flush 1 can be disabled in configuration step 1.7.

FORWARD FLUSH 2

Forward Flush 2 consists in rinsing membranes with permeate supplied from permeate tank by permeate pump.



Forward flush 2 with permeate is only possible if the RO system is equipped with rinsing electric valve.

Forward Flush 2 occurs after each Forward Flush 1 if configuration step 1.3 is set to non-zero value. It can be manually brought on by pushing **▶ START** during Forward Flush 1 or double pushing **▶ START** during Service.

Status of outputs in FORWARD FLUSH 2

Booster and antiscalant pumps	on (if configuration step 1.4 is set to 'on') off (if configuration step 1.4 is set to 'off')
Entry valve	closed
Forward flush valve	open
Bypass valve	open
Alarm	off

Pushing **□ STOP** will abort Forward Flush 2 and bring the controller to Stop mode. Pushing **▶ START** will abort Forward Flush 2 and bring the controller to Service or Standby (depending on tank level and backpressure status).

STANDBY

In Standby, the unit is stalled and ready to resume service. Standby mode is brought on by reading high tank level or tripping permeate backpressure switch.

Status of outputs in STANDBY

Booster and antiscalant pumps	off
Entry valve	closed
Forward flush valve	closed
Bypass valve	closed
Alarm	off

Pushing **■** STOP will bring the controller to Stop mode. Pushing **▶** START will take the controller into Service if permeate is low and backpressure switch is inactive. Otherwise, pushing **▶** START will initiate Forward Flush 1 and Forward Flush 2 (if set) and then bring the controller back to Standby. When float switch or permeate backpressure switch deactivate, the controller will go back to Service.

FAULT

In Fault mode, the unit is stalled to protect the equipment from dangerous operating conditions. Fault mode is brought on by activating low feed pressure switch (to prevent 'dry running'), high feed pressure switch (to protect against overpressure), or reading an excessively high permeate conductivity value (which could mean membrane rupture or other malfunction if configuration step 1.16 is set to non-zero value.).

Status of outputs in FAULT

Booster and antiscalant pumps	off
Entry valve	closed
Forward flush valve	closed
Bypass valve	closed
Alarm	on

Fault mode can only be quit manually by pushing **▶** START. Ensure the cause of fault is eliminated before quitting Fault mode. Pushing **■** STOP will bring the controller to Stop mode.

STOP

In Stop mode, the unit is stalled and awaiting further input. Stop mode can be manually brought on by pushing **■** STOP in any mode, or by stop switch opening circuit between STOP terminals on the printed circuit board.

Status of outputs in STOP

Booster and antiscalant pumps	off
Entry valve	closed
Forward flush valve	closed
Bypass valve	closed
Alarm	off

Upon pushing **▶** START or deactivating stop switch, the controller will resume from where it was interrupted.

8.4. PROGRAM

Configuration settings are stored in non-volatile memory. Access to each submenu is protected with passcode. To enter configuration menu, hold **STOP** for 8 seconds. In the menu, editing and storing values is helped by flashing cursor. **START** button moves cursor one position to the right, **STOP** button increments selected digit by one, cycles between options, or scrolls to the next screen when the cursor is at the '>' symbol.

Configuration menu layout is shown below.

MENU	FACTORY SETTING	
	MO6500/MO12000	MO24000
1. SETTINGS AND CALIBRATION PASSCODE PROMPT	0000	
1.0 Language	English	
1.1 High pressure pump delay, s	10* sec	
1.2 Forward Flush 1 duration, s	60 sec	
1.3 Forward Flush 2 duration, s	0 sec	
1.4 High pressure pump power during Forward Flush 2, on/off	off	
1.5 Frequency of periodic Forward Flush in Service, h	4 hour	
1.6 Frequency of periodic Forward Flush in Standby, h	24 hour	
1.7 Read low feed pressure during Forward Flush, on/off	on	
1.8 Low feed pressure switch, NO/NC	NC	NO
1.9 Low feed pressure Fault delay, s	3 sec	
1.10 High feed pressure switch, NO/NC	NO	
1.11 Permeate backpressure switch, NO/NC	NC	
1.12 Backpressure Standby delay, s	1 sec	
1.13 Tank level switch, NO/NC	NC	
1.14 Tank level Standby delay, s	1 sec	
1.15 Display TDS in ppm	off	
1.16 Permeate conductivity Fault threshold, $\mu\text{S}/\text{cm}$	0 $\mu\text{S}/\text{cm}$	
1.17 Permeate conductivity Fault delay, s	0	
1.18 New settings and calibration passcode	-	
2. SETTINGS AND CALIBRATION PASSCODE PROMPT	0000	
2.1 First point value, $\mu\text{S}/\text{cm}$	-	
2.2 Second point value, $\mu\text{S}/\text{cm}$	-	
3. MAINTENANCE PASSCODE PROMPT	0000	
3.1 Schedule maintenance stop, on/off	off	
3.2 Scheduled stop period, h (if 3.1 is set to 'on')	500 hour	
3.3 New maintenance passcode		

*Before first start of the system change the high pressure pump delay at 255 sec to release the air from the unit, after successful running of RO unit come back to the factory setting of 10 sec.

1. Settings

Hold STOP for 8 seconds to launch menu prompt. Push START to enter Settings submenu. Enter passcode in the prompt. Factory passcode is '0000'.

1.0 Language

Choose language to display operation information & menu. Available languages include English & Russian.

1.1 High pressure pump delay

Enter length of interval between opening the entry valve and starting the pump when the unit is going into Service (0...255 seconds).

1.2 Forward Flush 1 duration

Enter length of Forward Flush 1 (0...255 seconds). Forward Flush 1 will not be performed if the parameter is set to zero.

1.3 Forward Flush 2 duration

Enter length of Forward Flush 2 (0...255 seconds). Forward Flush 2 will not be performed if the parameter is set to zero. Default setting is zero (Forward Flush 2 disabled).

1.4 High pressure pump power during Forward Flush 2

This setting specifies whether the high pressure pump will be powered during Forward Flush 2 (on/off).

1.5 Frequency of periodic Forward Flush in Service

This setting determines how often Service mode is interrupted to run forward flush sequence (once in 0...255 hours).

1.6 Frequency of periodic Forward Flush in Standby

This setting determines how often Standby mode is interrupted to run forward flush sequence (once in 0...255 hours).

1.7 Read low feed pressure during Forward Flush

This setting specifies if low feed pressure switch status will be read by the controller during forward flush. If set to 'off', low feed pressure situation will not bring about Fault mode.

1.8 Low feed pressure switch

This setting specifies whether low feed pressure switch is normally closed (NC) or normally open (NO) type.

1.9 Low feed pressure Fault delay

Specify the length of time before the controller goes into Fault mode if low feed pressure condition occurs (0...255 seconds). The pump will continue to run for this many seconds before Fault mode is switched to. If set to 0, pump will stop running immediately after low feed pressure occurs.

1.9 Low feed pressure Fault delay

Specify the length of time before the controller goes into Fault mode if low feed pressure condition occurs (0...255 seconds). The pump will continue to run for this many seconds before Fault mode is switched to. If set to 0, pump will stop running immediately after low feed pressure occurs. 1.10 High feed pressure switch

This setting specifies if high feed pressure switch is normally closed (NC) or normally open (NO) type.

1.11 Permeate backpressure switch

This setting specifies whether backpressure switch is normally closed (NC) or normally open (NO) type.

1.12 Backpressure Standby delay

Specify the length of time before the controller goes into Standby if high permeate pressure condition occurs (0...255 seconds). Controller will continue to operate in Service mode for the set length of time before running pre-Standby forward flush or will initiate Forward flush immediately if value set to 0.

1.13 Tank level switch

This setting specifies whether float switch is normally closed (NC) or normally open (NO) type.

1.14 Tank level Standby delay

Specify the length of time before the controller goes into Standby if tank level switch goes high (0...255 seconds). Controller will continue to operate in Service mode for the set length of time before running pre-Standby forward flush or will initiate Forward flush immediately if value set to 0.

1.15 Display permeate TDS in ppm

If set to "on", electrical conductivity (EC) of permeate will be displayed as TDS in ppm as $TDS = 0.5147 * EC$.

1.16 Permeate conductivity Fault threshold

Specify maximum acceptable permeate conductivity. Conductivity reading above this value will initiate Fault mode ('High permeate TDS'). If set to zero, fault threshold will not be used.

1.17 Permeate conductivity Fault delay

Specify the length of time before the controller goes into Fault mode when high permeate conductivity is being read. Step 1.17 is displayed only if step 1.16 is set to non-zero value.

1.18 New settings and calibration passcode

Verify passcode.

2. Calibration

Hold **□ STOP** for 8 seconds to launch menu prompt. Push **□ STOP** to skip Settings submenu and push **▶ START** to enter Calibration submenu. Enter passcode in the prompt. Factory passcode is '0000'.

2.1 First point value

First calibration point can be done at zero electrical conductivity (dry conductivity meter). In order to use zero first point conductivity, remove the conductivity meter from its cell, wipe with clean cloth and keep dry for a few minutes. When conductivity reading on the display stabilizes, put zeroes in the bottom row, and go to the next step.

If using a weakly conducting solution to set the first point, rinse the meter with deionized water and wipe dry. Dip clean conductivity meter into sample of known standard conductivity, wait until the reading on display stabilizes and input actual conductivity. Then go to the next step.

2.2 Second point value

Use water sample with greater conductivity than that of the first point standard. Follow the same procedure rinsing and wiping residual moisture on conductivity meter electrodes. Dip clean conductivity meter into sample of known standard conductivity, wait until the reading on display stabilizes and input actual conductivity. Then go to the next step. The controller will display 'OK' and show Maintenance submenu prompt.

3. Maintenance

Maintenance submenu will be shown after completing calibration of conductivity meter and can be called up during Service by holding **□ STOP** for 8 seconds, then skipping Settings and Calibration prompt displays. Enter Maintenance passcode in the prompt. Factory passcode is '0000'.

3.1 Schedule maintenance stop

Select 'on' to turn on maintenance reminder after preset number of hours of cumulative runtime. Controller will put the RO machine to a halt and display maintenance alert message. Operation can only be continued after entering Maintenance submenu (with proper Maintenance passcode) and resetting scheduled stop period. If set to 'off', the controller will continue to count overdue hours after reaching zero hour count.

3.2 Scheduled stop period

Enter the number of hours before the RO machine will be brought to a scheduled stop for maintenance. This setting will not be shown if the scheduled stop is turned off in step 3.1.

3.3 New Maintenance passcode

Enter new passcode for Maintenance submenu and confirm. This will exit the Configuration menu.

ANNEX A

LAYOUT DRAWINGS

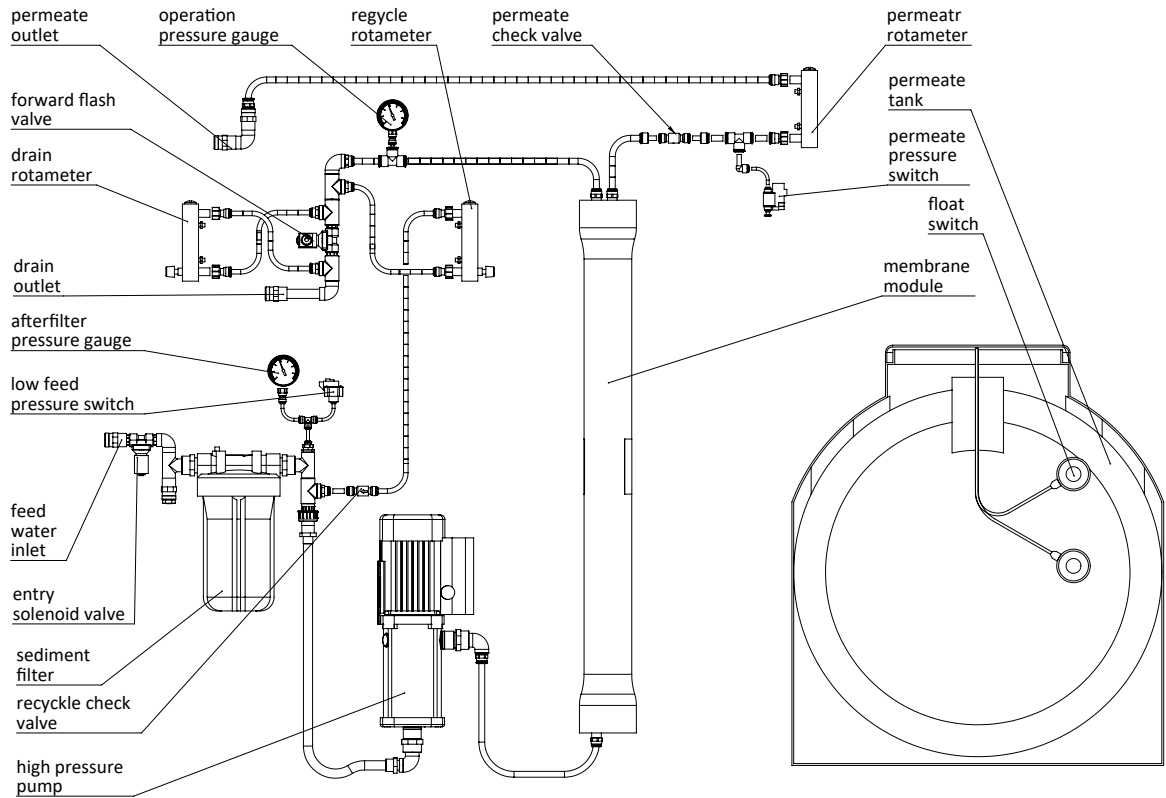


Figure 1. Layout of Ecosoft MO 6500

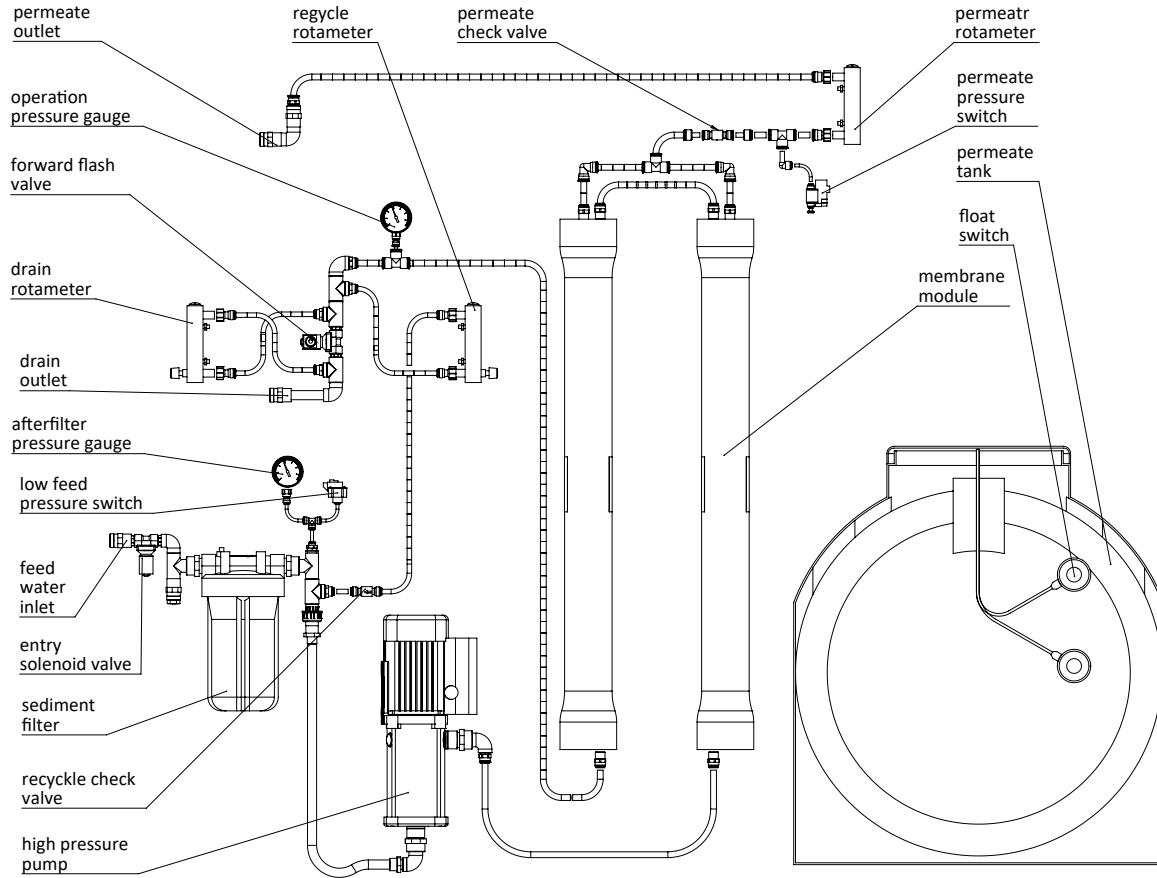


Figure 2. Layout of Ecosoft MO 12000

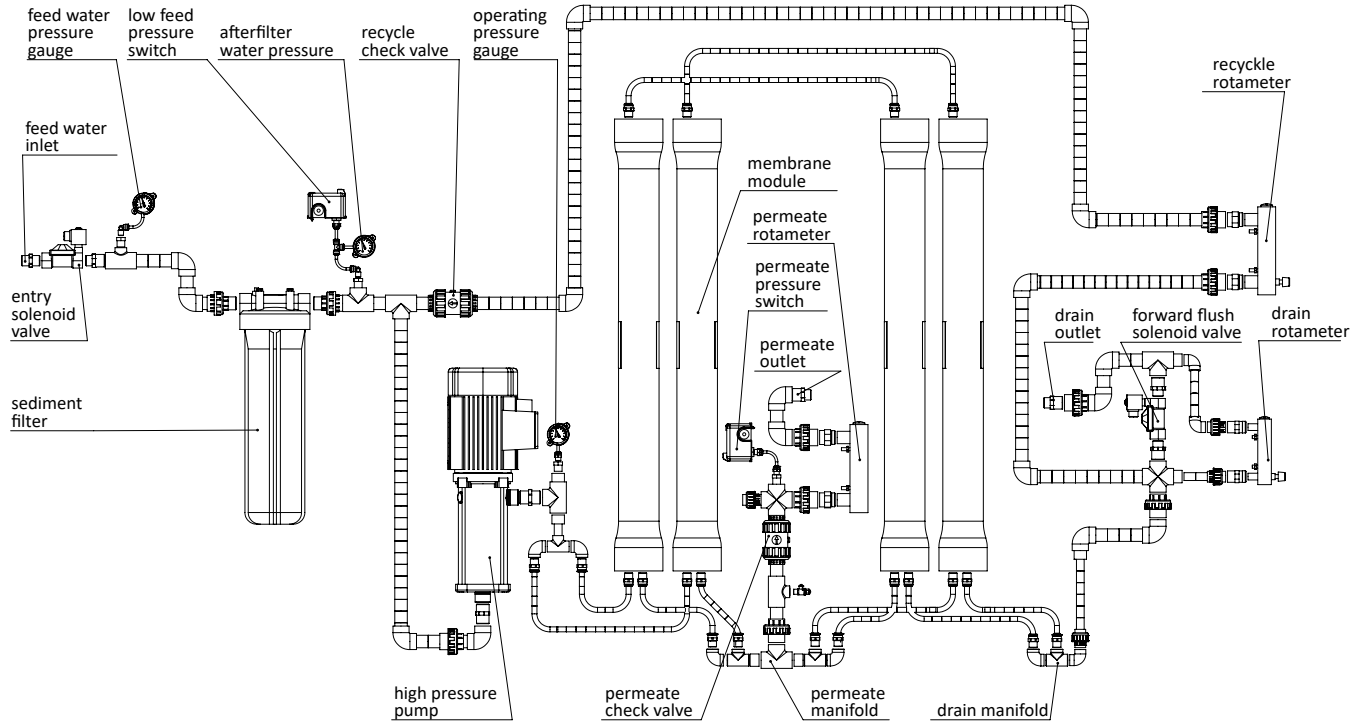


Figure 3. Layout of Ecosoft MO 24000

ANNEX B

BYPASS VALVE ENABLED SYSTEM P&IDS

Legend:

- 1. entry motorized valve
- 2. forward flush motorized valve
- 3. bypass motorized valve
- 4. dosing pump
- 5. high pressure pump
- 6. delivery pump
- 7. sediment pre-filter
- 8. membrane module/array
- 9. permeate tank
- 10. drain flow regulating valve
- 11. recycle flow regulating valve

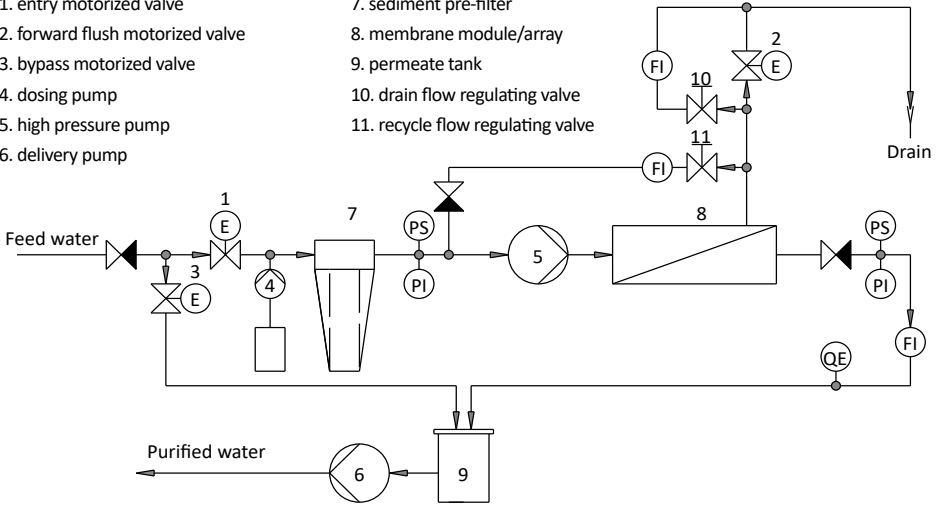


Figure 1. Reverse osmosis system with raw water blending

Legend:

- 1. entry motorized valve
- 2. forward flush motorized valve
- 3. bypass motorized valve
- 4. dosing pump
- 5. high pressure pump
- 6. delivery pump
- 7. sediment pre-filter
- 8. membrane module/array
- 9. permeate tank
- 10. drain flow regulating valve
- 11. recycle flow regulating valve

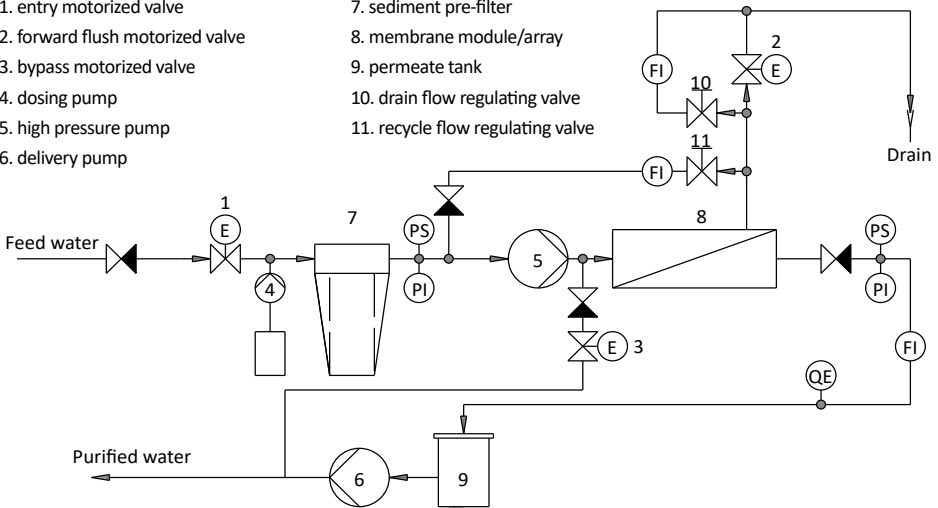


Figure 2. Reverse osmosis system with permeate rinsing

СОДЕРЖАНИЕ:

1. Сокращения и аббревиатуры.....	32
2. Системы обратного осмоса.....	32
2.1. Введение.....	32
2.2. Технические данные.....	33
3. Монтаж и запуск.....	35
4. Требования к монтажу.....	37
5. Требования к эксплуатации.....	37
6. Требования к хранению и транспортировке.....	39
7. Устранение неисправностей.....	40
8. Контроллер.....	42
8.1. Введение.....	42
8.2. Технические данные.....	43
8.3. Режим работы.....	45
8.4. Программирование.....	48
Приложение А. Технологическая схема систем обратного осмоса.....	52
Приложение Б. Система с использованием байпаса.....	55
Приложение В. Эксплуатационные записи.....	56

1. СОКРАЩЕНИЯ И АББРЕВИАТУРЫ

ОО — обратный осмос

LPM — литр в минуту

LPH — литр в час

NO — нормально открытый

NC — нормально закрытый

TDS — общее солесодержание

2. СИСТЕМЫ ОБРАТНОГО ОСМОСА

2.1. ВВЕДЕНИЕ



Эксплуатация установки проводится специалистами компаний, имеющими соответствующий опыт работы. Не допускайте, чтобы дети играли с оборудованием.

Входной клапан (нормально закрытый) открывается для подачи воды в установку по сигналу контроллера. При условии, что давление после фильтра более 0,2 МПа и сборник пермеата не наполнен (поплачковый выключатель в нижнем положении), установка начинает работу.

Исходная вода проходит через фильтр механической очистки, после чего насос повышения давления подает ее на мембранный модуль, где происходит разделение воды на два потока: пермеат (деминерализованную воду) и концентрат (воду с повышенным солесодержанием солей).

Манометры установки отображают значения давлений после фильтра и в мембранном модуле.

Пермеат направляется на выход узла обратного осмоса, его расход регистрируется ротаметром пермеата и зависит от давления в мембранном модуле — с увеличением давления возрастает поток пермеата. Реле высокого давления в линии пермеата отключает установку при повышении давления пермеата.

Концентрат сбрасывается в канализацию через штуцер сброса. В целях уменьшения объема стоков установки часть потока концентрата направляется на вход насоса высокого давления (т. н. рецикл концентрата). Увеличение доли рецикла воды и, соответственно, уменьшение сброса установки регулируется ротаметром рецикла.

Подготовленная вода поступает в сборник пермеата, в котором установлено поплавковое реле уровня, обеспечивающее отключение установки при заполнении емкости.

При срабатывании выключателя в верхнем положении автоматически запускается программа гидравлической промывки мембран — на 60 секунд открывается клапан промывки, при этом весь поток воды из мембранного модуля направляется на сброс.

2.2. ТЕХНИЧЕСКИЕ ДАННЫЕ

Таблица 1. Технические характеристики

Модель	МО-6500	МО-12000	МО-24000
Код	M6VCTFW	M10VCTFW	M24VCTFW
Производительность по пермеату, л/ч*	280	530	1000
Количество и тип мембран	1 × XLE-4040	2 × XLE-4040	4 × XLE-4040
Давление на входе, бар	2–6		
Расход воды на одну гидравлическую промывку, л	30–38		58–75
Потребляемая мощность, кВт	0,67		1,9
Габариты (Д × Ш × В), мм	540 × 405 × 1450		700 × 610 × 1450
Максимальная масса сухой системы, не более, кг	60	70	100
Диаметры подключений:			
• исходная вода	1/2"		1,0"
• пермеат	1/2"		1,0"
• сброс	1/2"		1,0"
Режим нормальной работы**			
Скорость потока рецикла:			
• л/м	13–15	8,2–11,2	21–35
• л/ч	820–900	490–680	1200–2100
Скорость потока сброса:			
• л/м	1,2–1,7	2,2–3,0	5–8
• л/ч	70–100	130–180	300–500
Скорость потока пермеата:			
• л/м	3,5–4,5	6,5–9,0	16–20
• л/ч	200–270	390–540	900–1200

* При температуре исходной воды 25 °С и солесодержании 1000 мг/л

** Состав воды должен соответствовать требованиям в таблице 2.

Если некоторые данные отсутствуют или не соответствуют требованиям, обратитесь в службу поддержки ООО «НПО «Экософт».



Исходная вода должна обязательно пройти предварительную очистку от мелких примесей и остаточного хлора перед подачей в мембранный модуль. Вода из скважины может содержать такие примеси, как соли жесткости, железо, марганец, сероводород, которые быстро выводят из строя мембрану. Влияние некоторых из этих примесей может быть устранено путем введения антискаланта. Проведите детальный лабораторный анализ вашей воды и свяжитесь со специалистом водоподготовки для консультации по поводу приобретения дополнительного оборудования для очистки воды.

Таблица 2. Ограничения***

Жесткость	150 мг/л CaCO ₃
	3 мг-экв/л
Железо	0,1 мг/л
Марганец	0,05 мг/л
Силикаты	20 мг/л
Общее солесодержание	3000 мг/л
Перманганатная окисляемость воды	4,0 мг O ₂ /л
Остаточный хлор	0,1 мг/л
Сероводород	нет

*** Ограничения могут быть превышены в случае использования антискаланта, поглотителя кислорода или других реагентов, которые предназначены для предварительной обработки воды перед системой обратного осмоса.

Давление на входе	0,2...0,4 МПа
Температура воды	10...25 °С
Электропитание	230 В, 50 Гц
Давление мембран	0,8...1,2 МПа

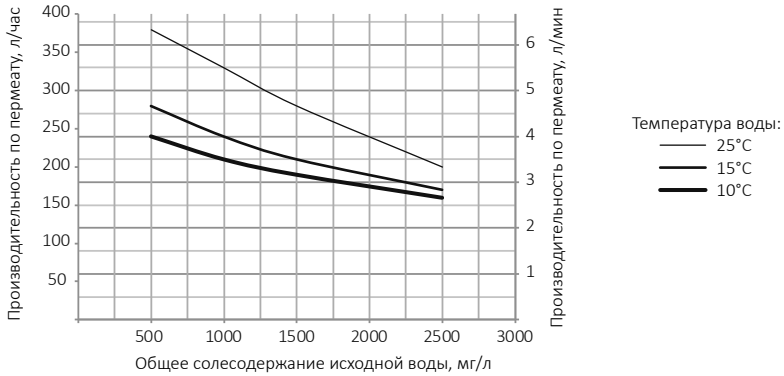


График 1. Зависимость производительности системы обратного осмоса МО-6500 от общего солесодержания исходной воды

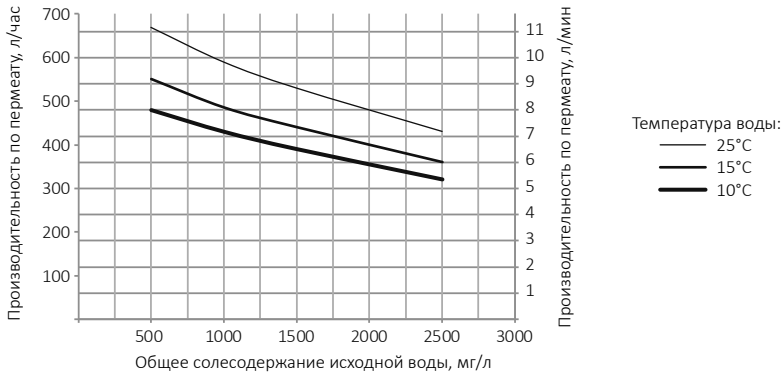


График 2. Зависимость производительности системы обратного осмоса МО-12000 от общего солесодержания исходной воды

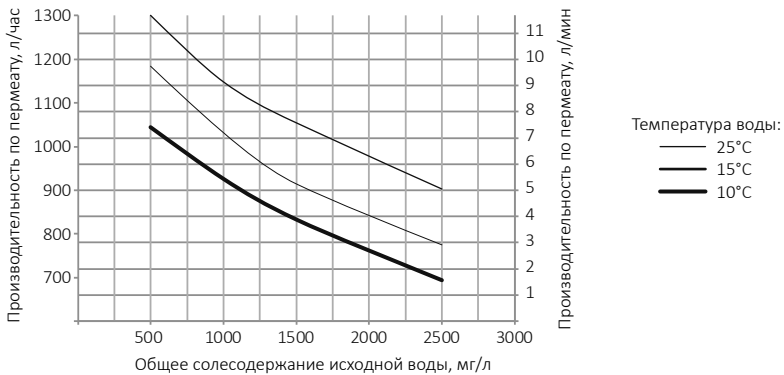


График 3. Зависимость производительности системы обратного осмоса МО-24000 от общего солесодержания исходной воды

3. МОНТАЖ И ЗАПУСК



Внимание! Электрическое подключение должно быть выполнено квалифицированным специалистом.

3.1 Установите оборудование на ровной горизонтальной площадке, способной выдержать его вес (см. таблицу 1). Установите емкость для сбора пермеата рядом с оборудованием. Перед тем как приступить к подключению и запуску системы, тщательно проверьте систему на наличие повреждений, включая трубопроводы, вентили, насос, мембранодержатель/мембранодержатели, фильтр механической очистки.

3.2 Установка мембраны в мембранодержатель.

Извлеките мембранный элемент из заводской упаковки и установите в мембранодержатель (для этого потребуется отсоединить трубопроводы и снять мембранодержатель со станины). Устанавливать мембранный элемент необходимо в направлении стрелки, нанесенной на мембранодержатель (со стороны входа исходной воды), сняв торцевую крышку. Загрузить мембранный элемент в мембранодержатель необходимо кольцевым уплотнением назад. Убедитесь, что центральная труба мембранного элемента надета на переходник в торцевой крышке с противоположной стороны. Соберите мембранодержатель, установите на станину и подключите трубки в обратном порядке. На время первого пуска системы пермеатную линию нужно подключить к канализации.



При необходимости используйте глицерин.

При работе с мембранами пользуйтесь стерильными резиновыми перчатками.

3.3 Выполните подключение к магистралям подачи воды, сброса в канализацию, отвода пермеата в емкость. Все подключения к магистралям воды выполняются через общий порт, расположенный в задней части установки.



При подключении трубопровода к системе необходимо использовать трубопровод диаметром не меньше, чем диаметр подключения на системе.

3.4 Опустите поплавок уровня с балластом в емкость с пермеатом, предварительно отрегулировав необходимую длину кабеля. Данная операция необходима для обеспечения корректной работы насосного оборудования. После первого наполнения емкости убедитесь, что поплавок включается и отключается в нужных позициях.

3.5 Если система ОО позволяет провести промывку пермеатом, установите необходимый фитинг. В случае использования внешнего сигнала для прекращения работы (микросвитч) удалите перемычку, соединяющую клеммы 6 и 7 на контроллере (см. раздел о контроллере). Затем вставьте провод от микросвитча в контроллер и подключите к клеммам. При использовании антискаланта или иных реагентов обратитесь к инструкции для правильного подключения дозирующего оборудования.

3.6 Подключите установку к сети переменного тока напряжением 230 вольт.

ЗАПУСК СИСТЕМЫ

3.7 Перед началом работы убедитесь в том, что открыты регулирующие вентили рецикла и дренажа. Отведите поток пермеата в дренаж на время первого запуска.

3.8 Включите питание для начала работы системы. После того как был проведен запуск контроллера и оборудование начало работать, закрывайте вентиль сброса до тех пор, пока расход не будет выставлен в соответствии с паспортными данными. После этого отрегулируйте расход рецикла аналогичным способом. В результате давление в мембранном модуле, которое фиксируется на манометре, повысится. Остановите систему, когда расход пермеата будет соответствовать спецификации или давление в мембранном модуле достигнет верхнего предела. После установки надлежащего давления настройте поток дренажа (если он меняется в процессе), чтобы гарантировать, работу системы с корректным выходом пермеата (75%, если не указано другое значение). Для расчета расхода слива в канализацию воспользуйтесь формулой ниже.

$$\text{Поток в дренаж} = \frac{\text{Расход пермеата}}{\text{Выход пермеата}} - \text{Расход пермеата}$$

Для примера:

Расход пермеата = 50 л/мин = 3 м³/ч

Выход пермеата = 75% = 0,75 (по умолчанию)

$$\text{Сброс в дренаж} = 50/0,75 - 50 = 16,67 \text{ л/мин} = 1 \text{ м}^3/\text{ч}$$

Убедитесь, что поток пермеата и сброса соответствуют расчетным данным. После установления параметров проверьте значения рабочего расхода пермеата, сброса и давлений на предмет соответствия рекомендованным значениям и ограничениям.



Следите, чтобы давление в мембранном модуле не превышало 1,6 МПа. Если мембранное давление поднимается выше ограничения, указанного в спецификации, открывайте вентиль рецикла, пока оно не снизится.



Будьте внимательны и не превышайте величину выхода пермеата больше рекомендуемого значения. Если вы не уверены, что рецикл работает должным образом, свяжитесь с представителем сервисной службы.



Поворачивайте регулирующий вентиль плавно при коррекции рецикла и дренажа. Не делайте резких движений — это может привести к поломке оборудования.

3.9 Оставьте оборудование работать в течение 1 часа в режиме сброса пермеата и концентрата в дренаж в целях удаления консерванта. Следите за показаниями манометров и ротаметров, чтобы удостовериться, что они не превышают паспортных значений. По истечении указанного времени запустите режим промывки (нажмите «СТАРТ» на панели контроллера), затем остановите оборудование. Выключите основной автомат. Соедините трубу/шланг пермеата с емкостью. Система обратного осмоса готова к работе.

4. ТРЕБОВАНИЯ К МОНТАЖУ

- Монтаж и запуск оборудования должны осуществляться квалифицированным специалистом. Техническое помещение или место, где будет установлено оборудование, должно соответствовать местным строительным стандартам.
- Оборудование не должно эксплуатироваться вне помещения. Также оборудование не должно подвергаться воздействию погодных условий (дождь, температурные колебания, воздействие солнечных лучей, и т. д.) и размещаться вблизи отопительной техники.
- Воздушное пространство рабочей зоны не должно содержать агрессивных паров, пыли в воздухе и волокнистых веществ.
- Свободный доступ к оборудованию в ремонтных или эксплуатационных целях должен быть обеспечен со следующим условием: расстояние между оборудованием и строительными конструкциями не менее 500 мм влево и вправо и 200 мм вверх.
- Электрическое подключение должно быть выполнено согласно местным стандартам безопасности для электроустановок. Удостоверьтесь, что подключения были выполнены с применением правил заземления и изоляции.
- Трубопроводы подачи исходной воды, сброса и пермеата должны соответствовать местным законодательным документам и иметь достаточную пропускную способность. Дренажная линия должна быть отделена от канализации воздушным пространством.
- Строительные материалы и внутренняя облицовка резервуара пермеата должны быть стойкими к коррозии (например, из нержавеющей стали, полипропилена). Емкость должна быть установлена рядом с оборудованием.
- Длина всасывающей линии насоса антискаланта не должна превышать 1,5 м. Более детальная информация указана в руководстве пользователя дозирующих установок.

5. ТРЕБОВАНИЯ К ЭКСПЛУАТАЦИИ

5.1 Оператор оборудования должен строго следовать данным рекомендациям и соблюдать технику безопасности.



Если кабель питания поврежден, он должен быть заменен производителем, сервисной службой производителя или квалифицированным специалистом во избежание аварий

5.2 Во время эксплуатации оборудования убедитесь в том, что значения давления и расходов находятся в пределах значений спецификации и подача воды является непрерывной.

5.3 Выполняйте следующие действия минимум раз в месяц:

- убедитесь в том, что значения манометров и ротаметров находятся в пределах значений спецификации;
- проверьте герметичность гидравлических соединений и целостность отдельных узлов трубопровода.

5.4 Для контроля корректной работы системы ОО регулярно ведите учет работы оборудования и записывайте показания параметров. Используйте заводское программное обеспечение для корректного контроля изменения давления, температуры и других условий эксплуатации.

5.5 Проводите замену картриджа механической очистки своевременно, по мере загрязнения. Перепад давления 0,1 МПа или более является индикатором того, что картридж механической фильтрации необходимо заменить как можно быстрее.

5.6 Выполняйте химическую промывку мембраны, если возникают следующие проблемы:

- нормированный расход пермеата снизился на 10–15% от его первоначального значения;
- нормированная проводимость пермеата повысилась 10–15% от начального, проводимость исходной воды осталась на том же уровне;
- рост перепада давления на мембранном модуле на 10–15% от начального значения.

5.7 После установки мембраны, которая прошла химическую промывку, в течение часа промойте мембрану и удалите пермеат и концентрат.

5.8 Во избежание микробиологического загрязнения установка должна работать не менее одного часа в день. В случае простоя оборудования в течение 48 часов и более мембрана должна быть очищена консервирующим раствором. Чистка консервантом заключается в циркуляции раствора 1% метабисульфита натрия в мембранном модуле в течение 30 минут. Перед восстановлением работы установки после очистки консервантами мембрану необходимо промыть.



Запрещено использовать исходную воду с содержанием свободного хлора более 0,1 мг/л без предварительной очистки на активированных углях или других аппаратах дехлорации. Хлор разрушает мембрану.

5.9 Замена механических фильтров выполняется следующим образом:

- отключите оборудование от электропитания;
- закройте подачу воды и сбросьте давление;
- открутите колбу от верхней части фильтра и извлеките ее; следите, чтобы на оборудование не попала вода;
- извлеките использованный картридж из колбы, разместите внутрь новый картридж и закрутите колбу.



Не превышайте силу закручивания более 2 кг × м

5.10 Замена мембраны включает следующие этапы:

- отключите электропитание оборудования;
- закройте подачу воды и сбросьте давление;
- отсоедините поток исходной воды, пермеата и концентрата на мембранном модуле;
- ослабьте крепление, которое фиксирует мембранодержатель и снимите его со станины;
- снимите торцевые крышки, удерживающие мембрану в мембранодержателе;
- извлеките использованный мембранный элемент в направлении, обратном потоку воды (против стрелки);
- установите новый мембранный элемент, соблюдая направление потока, указанное стрелкой;
- поместите крышку-адаптер мембраны на место и закрепите ее стопорными пластинами;
- установите мембранодержатель на установку и закрепите ее зажимными креплениями;
- восстановите подключения трубопроводов.



Не выполняйте ремонт, чистку, и перемещения оборудования или вспомогательных блоков (пермеатную емкость, фильтры и т. д.), когда оборудование подсоединено к питанию электросети.



Не подвергайте оборудование механическому воздействию (ударам, дополнительной механической нагрузке на оборудование).



Завод-изготовитель не несет ответственности за какие-либо повреждения, нанесенным владельцу или третьим лицам вследствие игнорирования техники безопасности или технических рекомендаций.

6. ТРЕБОВАНИЯ ПО ХРАНЕНИЮ И ТРАНСПОРТИРОВКЕ

- Оборудование должно храниться в закрытом помещении. Качество воздуха над рабочим пространством должно соответствовать местным стандартам.
- Тщательно выполняйте действия при консервации мембраны, когда подготавливаете ее к длительному простоя.
- Оборудование ОО в оригинальной упаковке может быть доставлено любыми видами транспорта: воздушным, водным, наземным.
- При транспортировке оборудование должно быть защищено от воздействия низких температур и ударов/вибраций.

7. УСТРАНЕНИЕ НЕИСПРАВНОСТЕЙ

Проблема	Возможная причина	Устранение
Контроллер не запускается после подачи питания на установку и включения дифавтомата	Отсутствие напряжения	Установка должна быть подключена к сети электропитания 230 В, 50 Гц
	Повреждение кабеля питания установки	Проверьте целостность кабеля при помощи мультиметра. На клеммы дифавтомата должно подаваться питание согласно паспортным требованиям (см. эл. схему)
	Выпадение провода питания из разъема платы контроллера	Надежно зафиксируйте зажимными винтами провода питания в разъемах клеммной колодки на плате контроллера установки
	Другие неисправности	Обратитесь в службу технической поддержки вашего дилера
Срабатывание (отключение) дифавтомата после запуска установки	Параметры сети электропитания не соответствуют требованиям	На установку должно подаваться стабилизированное питание 220-230 В, 50 Гц без перепадов/падения напряжения
	Другие неисправности	Обратитесь в службу технической поддержки вашего дилера
Насос высокого давления не запускается, когда контроллер в режиме «Производство»	Выпадение провода питания из разъема	Убедитесь, что провод управления контактора (см. эл. схему) надежно зафиксирован в разъеме F группы PUMP клеммной колодки на плате контроллера установки. Убедитесь, что провода кабеля питания насоса зафиксированы в разъемах 2 (фаза), 4 (ноль) контактора в распределительном щитке
	Другие неисправности	Обратитесь в службу технической поддержки вашего дилера

Проблема	Возможная причина	Устранение
Сниженная производительность по пермеату	Слишком низкая температура подаваемой воды	Измерьте температуру воды и убедитесь, что она соответствует паспортным требованиям
	Некорректно установлено давление в мембранном модуле и объемный расход концентрата	Запишите показания ротаметров и манометров установки и обратитесь в службу технической поддержки вашего дилера
	Загрязнение мембраны	Выполните химическую регенерацию (промывку) мембранных элементов
	Другие	Обратитесь в службу технической поддержки вашего дилера
Повышенная электропроводность пермеата	Температура воды на входе выше допустимой	Измерьте температуру воды и убедитесь в том, что она соответствует паспортным требованиям
	Некорректно установлено давление в мембранном модуле и объемный расход концентрата	Запишите показания ротаметров и манометров вашей установки и обратитесь в службу технической поддержки вашего дилера
	Качество воды не соответствует требованиям	Убедитесь, что показатели анализа воды соответствуют паспортным требованиям
	Повреждено наружное уплотнительное кольцо мембранного элемента или соединительной муфты	Замените уплотнительное кольцо
	Механическое повреждение мембранного элемента	Замените поврежденный мембранный элемент
Другие неисправности	Обратитесь в службу технической поддержки вашего дилера	
Другие неисправности		Обратитесь в службу технической поддержки вашего дилера

8. КОНТРОЛЛЕР

8.1. ВВЕДЕНИЕ

Контроллер ОС 5000 предназначен для автоматического или ручного управления работой обратноосмотических установок.

Контроллер ОС 5000 обеспечивает:

- автоматическое включение и отключение установки по сигналу датчика уровня в сборнике пермеата или давления в линии пермеата с предварительной гидравлической промывкой;
- аварийное отключение установки по сигналам датчиков сухого хода, избыточного давления в модуле;
- отключение установки по внешнему сигналу «СТОП»;
- гидравлическую промывку мембран по временной циклограмме;
- постоянный контроль электропроводности и температуры пермеата при использовании комбинированного датчика, входящего в комплект поставки.

Контроллер предусматривает возможность управления дополнительным автоматическим клапаном по двум схемам подключения (см. приложение):

- с подмесом исходной воды;
- с промывкой мембран пермеатом.

Контроллер также поддерживает следующие функции:

- подключение как NO-, так и NC-датчиков давления и уровня;
- автоматическая корректировка показаний электропроводности пермеата от его температуры;
- возможность аварийного отключения установки по превышению показаний электропроводности пермеата;
- простая калибровка датчика электропроводности по двум точкам;
- защита меню настроек, калибровок и сервиса соответствующими паролями, возможность изменения паролей;
- возможность отключения установки по истечении заданного времени наработки с оповещением пользователя;
- возможность управления как соленоидными клапанами (по двухпроводной схеме), так и задвижками с сервоприводами (по трехпроводной схеме);

Электронная схема контроллера обеспечивает высокую помехозащищенность и надежность работы за счет гальванической развязки входов и выходов контроллера.

8.2. ТЕХНИЧЕСКИЕ ДАННЫЕ

Таблица 1. Спецификация

Электропитание	230 В, 50 Гц, 2 предохранителя по 2 А
Мощность	4 В·А
Класс защиты	IP 65
Допустимая температура в помещении	+5...+40 °С
Вес	0,25 кг
Габариты (Д × Ш × В)	60 × 120 × 250 мм
Диапазон измерения проводимости пермеата	0...1000 мкСм/см

Таблица 2. Спецификация электрической схемы контроллера

Назначение		Обозначение	Номер
<i>ПИТАНИЕ</i>			
Фаза	230 В	L	35
Ноль		N	34
Заземление		⏚	33
<i>ВХОДЫ</i>			
Ячейка электропроводности комбинированного датчика		cond	1 — белый 2 — черный
Датчик температуры комбинированного датчика		+ temp –	3 — красный 4 — зеленый 5 — синий
Реле низкого давления		P_in	8–9
Реле высокого давления в мембранном модуле	5 В, 1 МА сухой контакт (NC/NO)	P_max	10–11
Реле высокого давления пермеата		P_perm	12–13
Датчик уровня пермеата в емкости		level	14–15
Внешний «СТОП»		stop	6–7
<i>ВЫХОДЫ</i>			
Магнитный пускатель насоса		pump	31–32 30 (земля)
Аварийное сигнальное устройство		alarm	28–29
Клапан входа	230 В	InValve	18–17 (NO) 18–19 (NC) 16 (земля)
Клапан промывки		Rinse_Valve	22–21 (NO) 22–23 (NC) 20 (земля)
Клапан байпаса		Bypass_Valve	26–25 (NO) 26–27 (NC) 24 (земля)

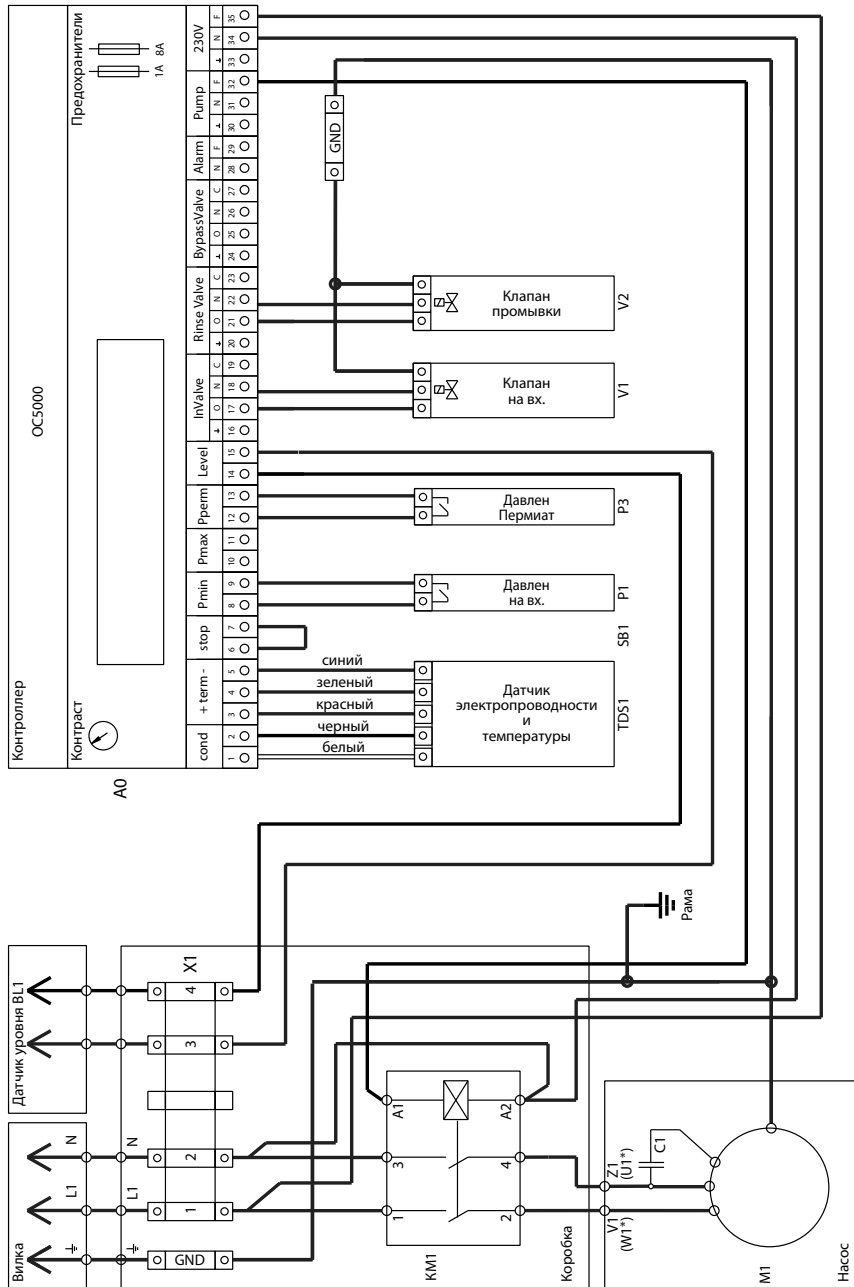


Рисунок 1. Электрическая схема ОС 5000 для МО-6500, МО-12000, МО-24000
 * V1/Z1 для МО-6500, МО-12000; W1/U1 для МО-24000

8.3. РЕЖИМЫ РАБОТЫ

В процессе эксплуатации контроллер может обеспечить такие режимы работы: Производство, Стоп, Промывка 1, Промывка 2, Режим Ожидания, Ошибка.

Непосредственно после включения контроллера на дисплее отображается версия прошивки, а затем контроллер переходит в режим Сервис, если уровень воды в пермеатной емкости мал и датчик высокого давления не активирован.

Тут и далее информация актуальна для прошивки версии "OC5000EC ver_03". Для получения информации касательно других версий прошивок обратитесь, пожалуйста, к вашему специалисту технической поддержки.

Настройка параметров контроллера осуществляется нажатием кнопок ► START и ◻ STOP. Текущий режим эксплуатации, а также текущая информация отображается на LED-дисплее.

Описание режимов работы.

ПРОИЗВОДСТВО

В режиме Производство система ОО работает и производит пермеат. Если не обнаружено неисправностей, уровень воды в пермеатной емкости низкий и датчик высокого давления не активирован, контроллер работает в данном режиме.

Положение выходов в режиме ПРОИЗВОДСТВО

Насос высокого давления и насос-дозатор антискаланта	Вкл.
Входной клапан	Открыт
Кран промывки	Закрыт
Байпас	Открыт (если значение в шаге 1.3 равно 0) Закрыт (если значение в шаге 1.3 не равно 0)
Авария	Выкл.

При однократном нажатии кнопки ► START контроллер перейдет в режим Промывка 1, при нажатии кнопки ► START дважды в течение 0,5 с или менее контроллер перейдет в режим Промывка 2 (если в пункте 1.3 настроек задано ненулевое значение), при нажатии кнопки ◻ STOP контроллер перейдет в режим Стоп. Контроллер перейдет в режим Авария, в случае если в системе низкое входящее давление, высокое давление пермеата или высокая электропроводность пермеата.

ПРОМЫВКА 1

В режиме работы Промывка 1 мембрана промывается большим потоком исходной воды, при этом концентрат уходит в дренаж. Режим Промывка 1 осуществляется во время нормальной работы системы с частотой, указанной в настройках шага 1.5, 1.6. Данный режим также может быть активирован в режиме Производство, если контроллер перешел в режим Ожидание, поле того как емкость пермеата заполнена или сработало реле давления. Эта функция может быть запущена вручную в режиме Производство нажатием кнопки ►START.

Положение выходов в режиме ПРОМЫВКА 1

Насос высокого давления и насос-дозатор антискаланта	Вкл.
Входной клапан	Открыт
Кран промывки	Открыт
Байпас	Закрыт
Авария	Выкл.

При нажатии кнопки **■ STOP** режим Промывка 1 прерывается и контроллер переходит в режим Стоп. При нажатии кнопки **▶ START** контроллер переходит в режим Промывка 2 (если в пункте 1.3 настроек задано ненулевое значение). Контроллер может перейти в режим Ошибка, в случае если в системе низкое входящее давление.

Ошибка, связанная с низким давлением, может быть отключена в настройках шага 1.7.

ПРОМЫВКА 2

Режим Промывка 2 заключается в промывке мембраны пермеатом, поток которого обеспечивается насосом из емкости пермеата.



Режим Промывка 2 пермеатом возможен в случае если система ОО снабжена промывочным электромагнитным клапаном для подачи пермеата.

Промывка 2 осуществляется после каждой Промывки 1, если в настройках шага 1.3 установлено не нулевое значение. Возможно также вручную перевести систему в этот режим, нажав кнопку **▶ START** в режиме Промывка 1 или двойным нажатием кнопки **▶ START** в режиме Производство.

Положение выходов в режиме ПРОМЫВКА 2

Насос высокого давления и насос-дозатор антискаланта	Вкл. (если в настройках шага 1.4 установлено «вкл.») Выкл. (если в настройках шага 1.4 установлено «выкл.»)
Входной клапан	Закрыт
Кран промывки	Открыт
Байпас	Закрыт
Авария	Выкл.

При нажатии кнопки **■ STOP** режим Промывка 2 прерывается и контроллер переходит в режим Стоп. При нажатии кнопки **▶ START** режим Промывка 2 прерывается и контроллер переходит в режим Производство или Ожидание (в зависимости от уровня пермеата в емкости и показаний датчиков давления).

ОЖИДАНИЕ

В данном режиме работа оборудования блокируется и возобновляется только после выполнения определенных условий (снижение уровня пермеата в емкости или возвращение датчика давления пермеата в нормальное состояние).

Положение выходов в режиме ОЖИДАНИЕ

Насос высокого давления и насос-дозатор антискаланта	Выкл.
Входной клапан	Закрыт
Кран промывки	Закрыт
Байпас	Закрыт
Авария	Выкл.

При нажатии кнопки **■ STOP** контроллер переходит в режим Стоп. При нажатии кнопки **▶ START** контроллер переходит в режим Производство, если пермеата мало и датчик давления пермеата неактивен. В противном случае при нажатии кнопки **▶ START** будут инициированы режимы Промывка 1 и Промывка 2 (если установлено), а затем контроллер вернется в режим Ожидание. Когда датчик уровня пермеата в емкости или давления пермеата не активен, контроллер переходит в режим Производство.

АВАРИЯ

В режиме Авария установка будет остановлена в целях защиты оборудования от негативных (опасных) эксплуатационных условий. Режим Авария срабатывает в случае активации датчика низкого давления (защита от «сухого хода»), датчика высокого давления (для защиты от чрезмерно высокого давления) или высоких показаний электропроводности пермеата (которое может означать разрушение мембраны или другие неисправности, если в шаге настроек 1.16 установлено ненулевое значение.).

Положение выходов в режиме АВАРИЯ

Насос высокого давления и насос-дозатор антискаланта	Вкл.
Входной клапан	Закрыт
Кран промывки	Закрыт
Байпас	Закрыт
Авария	Вкл.

Из режима Авария можно выйти, нажав кнопку **▶ START**. Прежде чем выйти из режима Авария, убедитесь, что устранена причина, по которой контроллер перешел в указанный режим.

РЕЖИМ СТОП

В данном режиме работа установки блокируется. Режим может быть отключен вручную нажатием кнопки **■ STOP** в любом из режимов или замыканием контактов Стоп на печатной плате.

Положение выходов в режиме ОШИБКА

Насос высокого давления и насос-дозатор антискаланта	Выкл.
Входной клапан	Закрыт
Кран промывки	Закрыт
Байпас	Закрыт
Авария	Выкл.

8.4. ПРОГРАММИРОВАНИЕ

Параметры настроек сохраняются в энергонезависимые ячейки. Доступ в каждое меню защищен паролем. Для входа в меню настроек нажмите и удерживайте кнопку **■ STOP** в течение 8 секунд. Мигающий курсор в меню позволяет редактировать и сохранять значения. При нажатии кнопки **▶ START** курсор перемещается на одну позицию вправо, кнопка **■ STOP** прибавляет выбранную позицию на единицу, циклы между опциями, прокрутка к следующему экрану осуществляются, когда курсор находится в положении «>».

Структура меню указана ниже.

Структура меню НАСТРОЙКИ	Заводские настройки	
	МО6500/МО12000	МО24000
1. МЕНЮ НАСТРОЕК (пароль)	0000	
1.0 Language/Язык	Английский	
1.1 Задержка включения насоса	10* с	
1.2 Длительность Промывки 1	60 с	
1.3 Длительность Промывки 2	0 с	
1.4 Состояние насоса во время Промывки 2	Выкл.	
1.5 Периодичность промывки в режиме «Производство»	4 ч	
1.6 Периодичность промывки в режиме «Ожидание»	24 ч	
1.7 Реле низкого давления при промывке	Вкл.	
1.8 Тип реле низкого давления	NC	NO
1.9 Задержка отключения при срабатывании реле низкого давления	3 с	
1.10 Тип реле высокого давления	NO	
1.11 Тип реле давления пермеата	NC	
1.12 Задержка отключения при срабатывании реле давления пермеата	1 с	
1.13 Тип датчика уровня	NC	
1.14 Задержка срабатывания датчика уровня	1 с	
1.15 Отображение TDS в ppm	Выкл.	
1.16 Порог отключения по превышению электропроводности	0 мкСм/см	
1.17 Задержка отключения по превышению электропроводности	0	
1.18 Новый пароль	-	
2. МЕНЮ КАЛИБРОВКИ (пароль)		
2.1 Установка первой точки	-	
2.2 Установка второй точки	-	
3. МЕНЮ СЕРВИСА (пароль)	0000	
3.1 Блокировка по истечении периода сервиса	Выкл.	
3.2 Период сервиса	500 ч	
3.3 Новый сервисный пароль	-	

* При первом запуске для более плавного старта системы рекомендуется установить время задержки включения насоса (п. 1.1.) **255 с**. После успешного запуска обязательно вернуть значение заводских настроек – 10 с.

1. Настройки

Для входа в меню настроек из любого режима работы установки необходимо нажать и удерживать в течение 8 секунд кнопку **□ STOP** до появления на дисплее приглашения меню настроек. При нажатии кнопки **▶ START** в приглашении меню настроек контроллер запрашивает пароль меню настроек (по умолчанию 0000). При правильном вводе пароля контроллер переходит к меню настроек; при неверном пароле появляется сообщение ERROR, на дисплей выводится приглашение меню калибровки.

1.0 Выбор языка отображения меню и пользовательской информации на экране. В контроллере предустановлены английский и русский языки.

1.1 Задержка включения насоса: длительность задержки включения насоса (0–255 сек). Если установлено 000, насос включается без задержки.

1.2 Промывка 1: длительность режима «Промывка 1» (0–255 с). Если установлено 000, «Промывка 1» не выполняется.

1.3 Промывка 2: длительность режима «Промывка 2» (0–255 с). Если установлено 000, «Промывка 2» не выполняется.

1.4 Включение насоса во время «Промывки 2»: если установлено «ВЫКЛ.», насос высокого давления не задействуется.

1.5 Частота промывок в режиме «Производство»: периодичность (1 раз в 0–255 часов) принудительной гидравлической промывки в режиме «Производство». В случае установки нулевых значений промывка в режиме «Производство» не выполняется.

1.6 Частота промывок в режиме ожидания: периодичность (1 раз в 0–255 часов) принудительной гидравлической промывки в режиме «Ожидание». В случае установки нулевых значений промывка в режиме «Ожидание» не выполняется.

1.7 Контроль состояния реле низкого давления во время промывки: если настройка отключена («ВЫКЛ.»), во время промывки контроллер не реагирует на срабатывание реле низкого давления.

1.8 Тип реле низкого давления (реле давления воды на входе в насос): NO — нормально открытый, NC — нормально закрытый.

1.9 Задержка сухого хода: время (0–255 с), в течение которого установка будет оставаться в режиме «Производство» после срабатывания реле низкого давления (сухой ход насоса).

1.10 Тип реле высокого давления (реле давления воды после насоса высокого давления): NO — нормально открытый, NC — нормально закрытый.

1.11 Тип реле давления пермеата: NO — нормально открытый, NC — нормально закрытый.

1.12 Задержка отключения при срабатывании реле давления пермеата: задержка отключения установки по сигналу реле высокого давления пермеата (0–255 с).

1.13 Тип поплавкового переключателя: NO — нормально открытый, NC — нормально закрытый.

1.14 Задержка датчика уровня: задержка отключения установки по сигналу датчика уровня пермеата в накопительной емкости.

1.15 Установка отображения электропроводности пермеата как электропроводности (ЕС) в мкСм/см (если “выкл”) или как TDS в ppm (мг/л). Пересчет выполняется по формуле $TDS = 0,5147 \cdot EC$.

1.16 Порог выключения по TDS-метру: порог аварийного отключения установки обратного осмоса по высокой электропроводности пермеата.

1.17 Задержка по электропроводности: задержка отключения установки по превышению порога электропроводности пермеата, установленного в пункте меню 1.16. Если порог аварийного отключения установки не установлен (установлено нулевое значение), данный пункт меню не отображается.

1.18 Новый пароль меню настроек и меню калибровки.

2. Меню калибровки

В данном меню осуществляется калибровка датчика электропроводности по двум точкам. После окончания работы в меню настроек либо отмене приглашения нажатием кнопки STOP на дисплее отображается приглашение меню калибровки. При нажатии кнопки START контроллер запрашивает пароль меню настроек и калибровки (п. 1.21 программирования контроллера, по умолчанию 0000). При правильно введенном пароле контроллер переходит в п. 2.1 меню калибровки, при неверно введенном пароле появляется сообщение ERROR, после чего контроллер отображает приглашение меню сервиса.

Для установки первой точки (нулевая электропроводность) рекомендуется использовать сухой датчик на воздухе. При этом в п. 2.1 устанавливается 0. Можно использовать стандартный раствор с малой электропроводностью, точное значение которой необходимо ввести в п. 2.1. Для установки второй точки используется раствор с более высокой электропроводностью.

Желательно, чтобы электропроводности стандартных растворов были подобраны таким образом, чтобы ожидаемые значения электропроводности пермеата попадали в диапазон между ними.

2.1 Установка первой точки. Для установки первой точки нужно извлечь датчик из держателя и удалить излишки воды чистой бумагой или тканью.

После того как показания электропроводности на дисплее контроллера в верхней строке стабилизируются (необходимо подождать 3–5 минут), кнопками START и STOP следует ввести значение 000 и подтвердить ввод. После этого контроллер перейдет к следующей точке калибровки.

Если для установки первой точки используется стандартный раствор, промытый и высушенный датчик электропроводности опускают в стаканчик со стандартным раствором, и, после стабилизации значения в верхней строке дисплея, вводят электропроводность стандартного раствора в нижней строке.

2.2 Установка второй точки. Для установки второй точки промытый обессоленной водой и высушенный датчик электропроводности опускают в стаканчик со стандартным раствором, и после стабилизации считанного значения в верхней строке дисплея вводят электропроводность стандартного раствора. После подтверждения ввода на дисплей выводится сообщение ОК и контроллер отображает приглашение меню сервиса.

3. Меню сервиса

В данном меню устанавливается периодичность напоминания о сервисном обслуживании установки, а также устанавливается блокировка работы установки по истечении заданного межсервисного периода.

Для входа в меню сервиса из любого режима работы установки необходимо нажать и удерживать в течение 8 секунд кнопку STOP до появления на дисплее приглашения в меню настроек. Для перехода в меню сервиса необходимо два раза нажать кнопку STOP, после чего на дисплее отобразится приглашение меню настроек. Для входа в сервисное меню нужно ввести сервисный пароль (по умолчанию 0000), который можно изменить в п. 3.3 меню сервиса.

3.1 Блокировка: включение/отключение блокировки работы установки обратного осмоса по истечении заданного в п. 3.2 сервисного периода. Если блокировка не активирована, то в режиме «Производство» по истечении сервисного периода начнется отрицательный отсчет времени — так называемая переработка. Если блокировка активирована, то по истечении сервисного периода установка будет заблокирована и на дисплее отобразится сообщение «Блокировка сервис», при этом работа установки будет заблокирована. Чтобы снять блокировку, необходимо войти в меню сервиса и установить новый сервисный период в п. 3.2.

3.2 Период сервиса: период работы установки обратного осмоса до отображения напоминания о необходимости проведения сервисного обслуживания (0–32000 часов). Устанавливается специалистом сервисной службы.

3.3 Сервисный пароль: новый пароль на вход в меню сервиса.

ПРИЛОЖЕНИЕ А

ТЕХНОЛОГИЧЕСКАЯ СХЕМА СИСТЕМ ОБРАТНОГО ОСМОСА

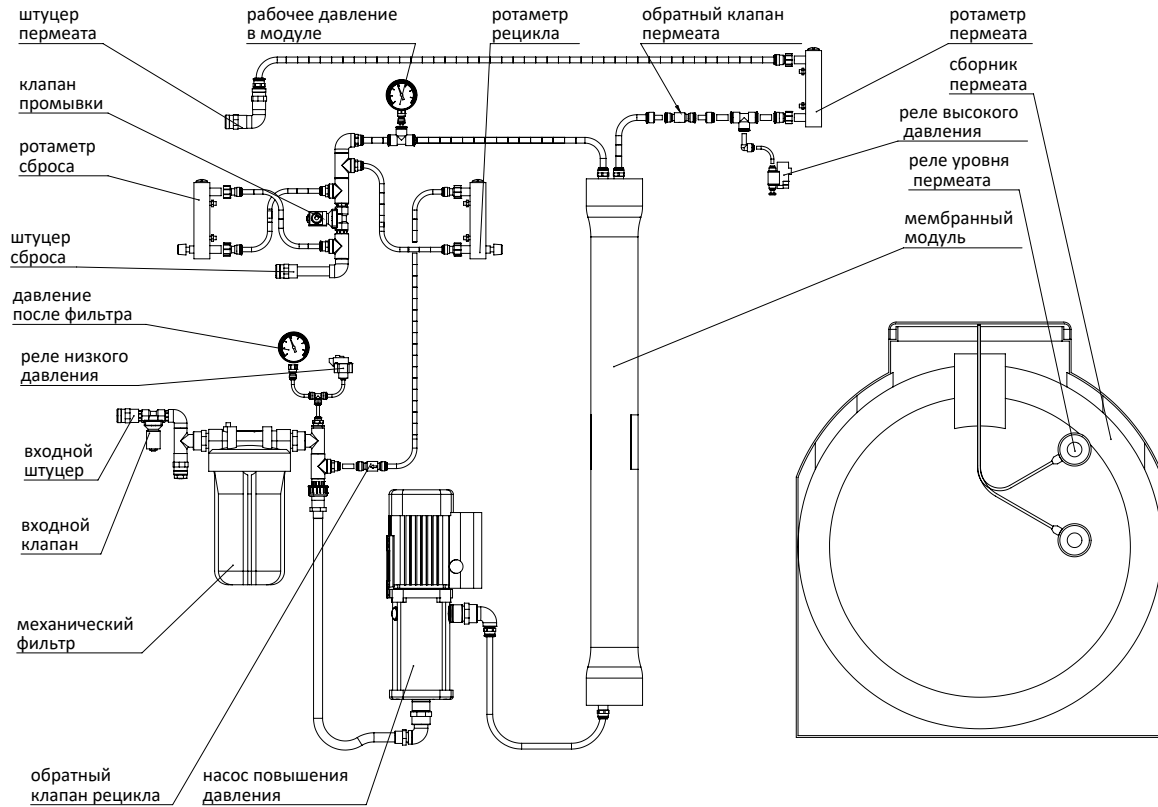


Рисунок 1. Схема системы обратного осмоса Ecosoft MO-6500

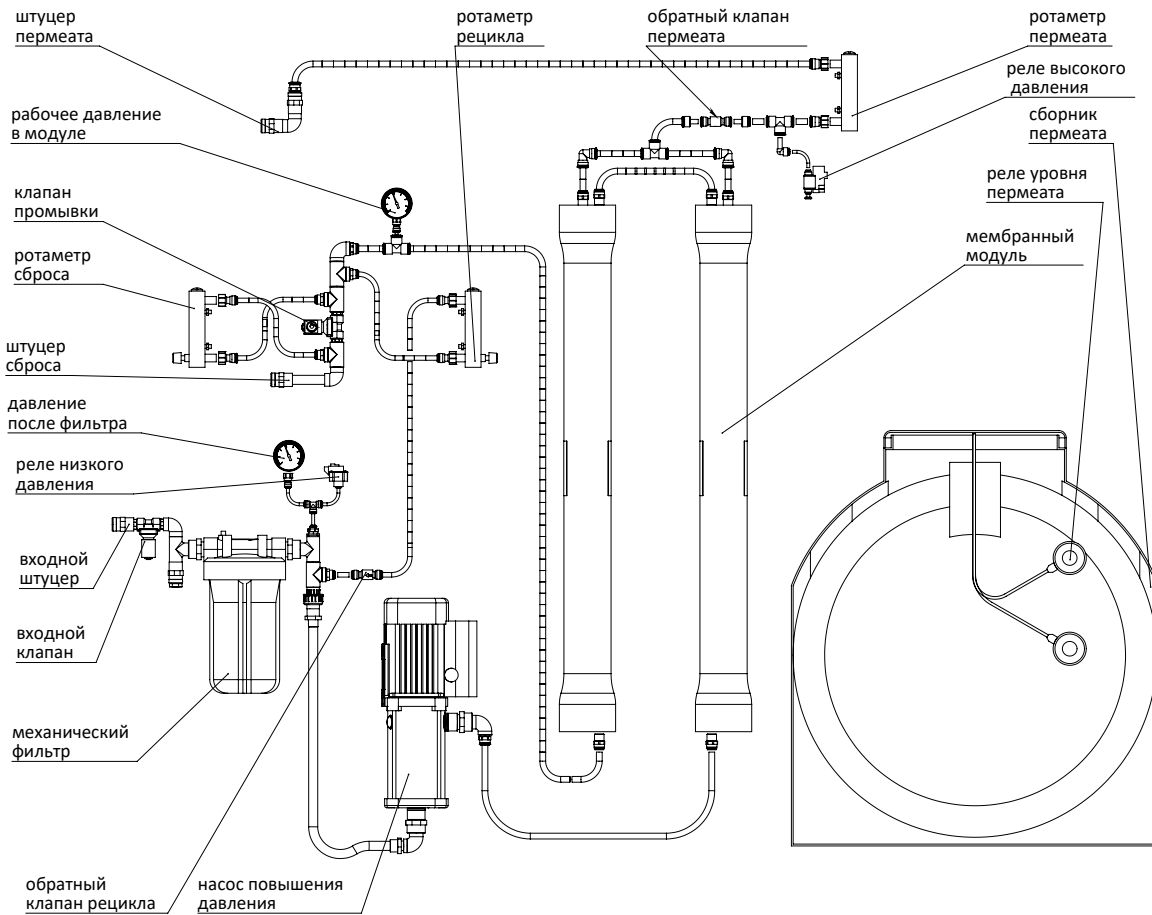


Рисунок 2. Схема системы обратного осмоса Ecosoft MO-12000

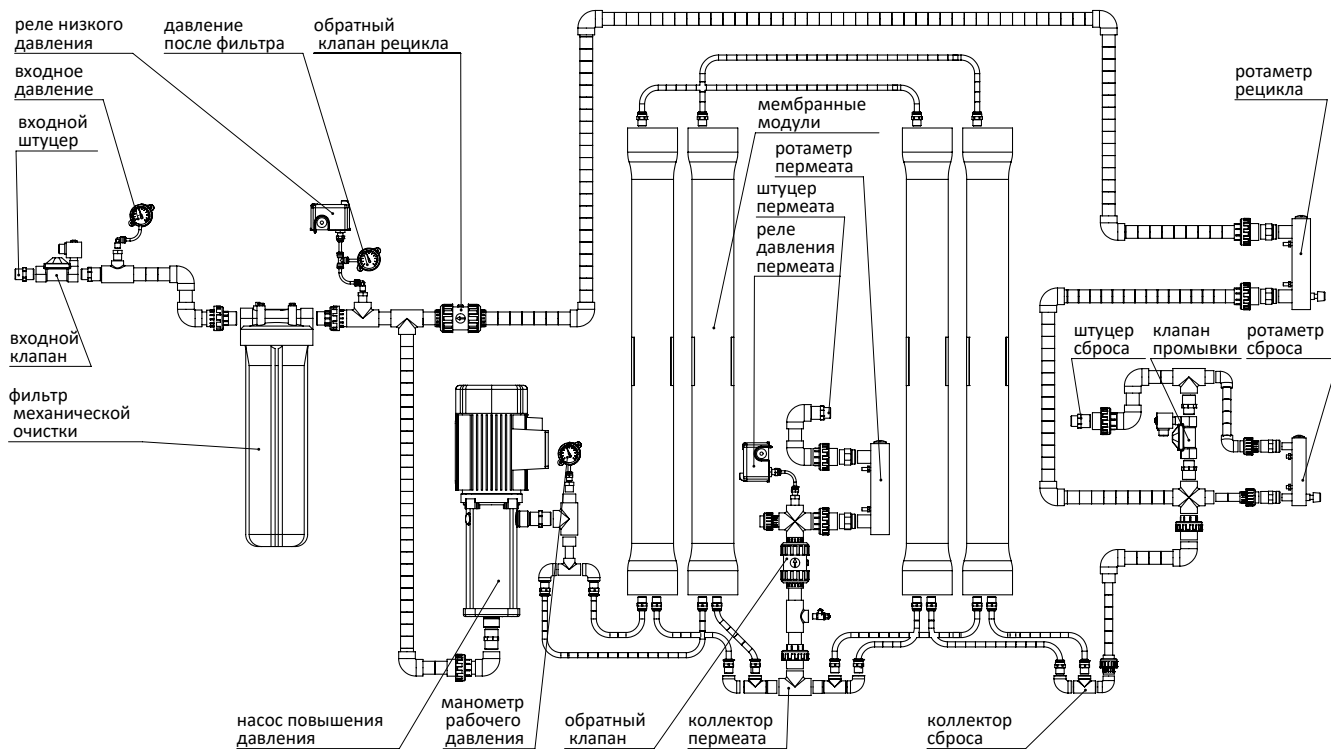


Рисунок 3. Схема системы обратного осмоса Ecosoft MO-24000

ПРИЛОЖЕНИЕ Б

СИСТЕМА С ИСПОЛЬЗОВАНИЕМ БАЙПАСА

Обозначения:

- | | |
|-----------------------------------|--------------------------------|
| 1. входной соленоидный клапан | 7. входной механический фильтр |
| 2. промывочный соленоидный клапан | 8. мембранный модуль |
| 3. байпасный соленоидный клапан | 9. накопительная емкость |
| 4. насос-дозатор | 10. регулятор сброса |
| 5. насос высокого давления | 11. регулятор рецикла |
| 6. насос очищенной воды | |

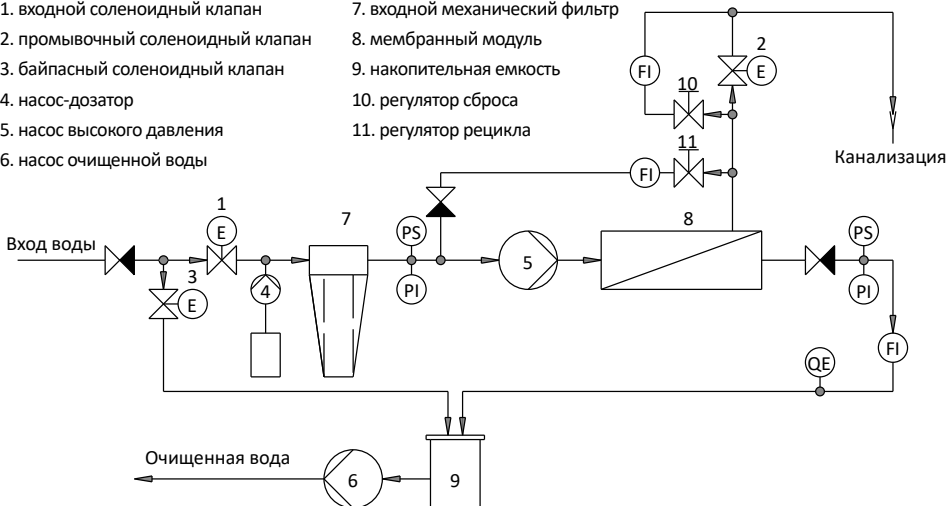


Рисунок 1. Система обратного осмоса с подмесом исходной воды

Обозначения:

- | | |
|-----------------------------------|--------------------------------|
| 1. входной соленоидный клапан | 7. входной механический фильтр |
| 2. промывочный соленоидный клапан | 8. мембранный модуль |
| 3. байпасный соленоидный клапан | 9. накопительная емкость |
| 4. насос-дозатор | 10. регулятор сброса |
| 5. насос высокого давления | 11. регулятор рецикла |
| 6. насос очищенной воды | |

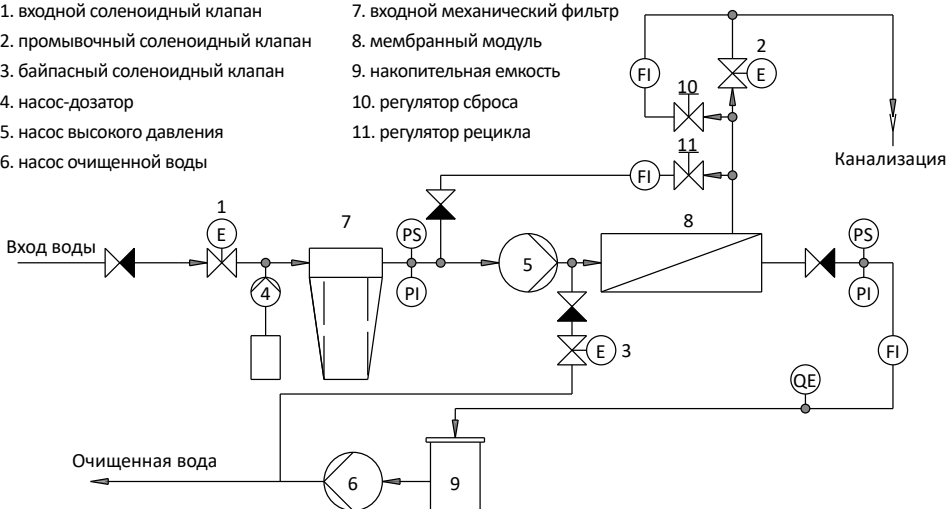


Рисунок 2. Система обратного осмоса с промывкой очищенной водой

ДЛЯ ЗАМЕТОК

FOR NOTES

